

Project:

Contact:

Fill in the shaded boxes using the information listed below

Order Code: **R-0032** - - - - - - - -

Model (A) SIZE (B) SUSPENSION (C) FINISH 1 (D) FINISH 2 (E) LIGHT DIRECTION (F) LAMPING (G) OPTION CODE

EXAMPLE ORDER CODE: R-0032 - 59 - S - 002 - 008 - D - 27 - EM



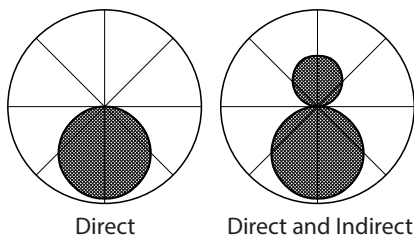
Capistrano 59, straight cables, Walnut ring walls, brass seam plate, Direct light, 3000K.



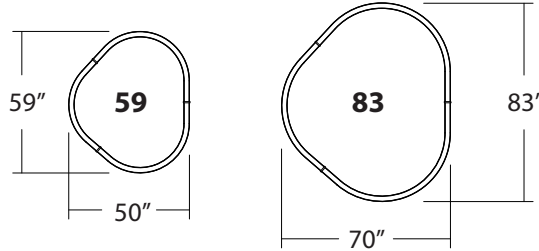
Detail of Distressed Brass seam plate with Walnut ring walls.

Walnut and Oak fixtures are constructed of real solid wood with a natural oil finish.

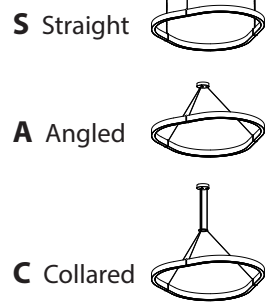
Photometric Polar Graph



(A) FIXTURE SIZE



(B) SUSPENSION



(C) RING WALLS FINISH

- 001 Walnut
- 002 Dark Stained Walnut
- 095 White Washed Oak
- 012 Brushed Aluminum
- 046 Rose Gold
- 047 Brushed Brass
- 096 Distressed Brass
- 085 Matte Black
- 121 Matte White

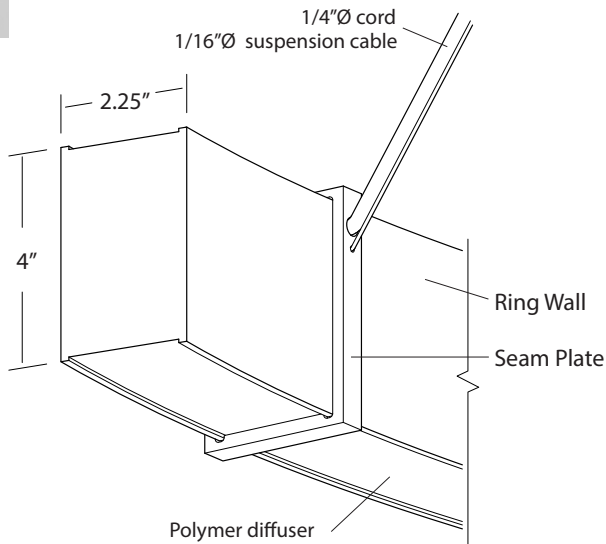
(D) SEAM PLATE FINISH

- 119 Brushed Aluminum
- 120 Brushed Brass
- 117 Distressed Brass
- 049 Textured Black
- 060 Textured White

Canopy finish will match seam plate finish.

(E) LIGHT DIRECTION

- D Direct
- B Direct and Indirect



All Capistrano pendants have 3 seam plates and suspension cables. The number of electrical cords per model listed on page 2.

(F) LAMPING CCT

27	2700K LED
30	3000K LED
35	3500K LED
40	4000K LED

CRI 90+

(G) OPTION CODE

- XD** For custom drop lengths add "XD" followed by desired Overall Height in inches at end of order code. Otherwise a standard 72" drop length is provided which is field cuttable.
- EM** Emergency Backup option.

Lumen Output / Wattage / Cords

Direct Light

Size	Watts	Delivered Lumens (down)	Number of Drivers	Weight (Lbs)	Number of Electrical Cords
59	115	9105	2	31	2
83	145	11690	2	34	2

Driver Specs

120-277VAC Input
0-10V dimming down to 1% with dim to off

Drivers to be mounted remote at a maximum distance of 50' including pendant drop distance, provided a 12 gauge wire is used.

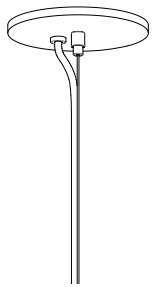
Driver dimensions are maximum 6.25" x 3" x 1.06"
See table for qty.

Direct and Indirect Light

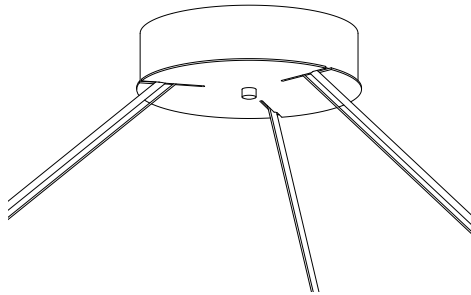
Size	Watts	Deliver Lumens Down	Delivered Lumens Up	Number of Drivers	Weight (Lbs)	Number of Electrical Cords
59	170	9105	4675	3	31	3
83	223	11690	6645	3	34	3

Canopy, Suspension Cables and Electrical Cords

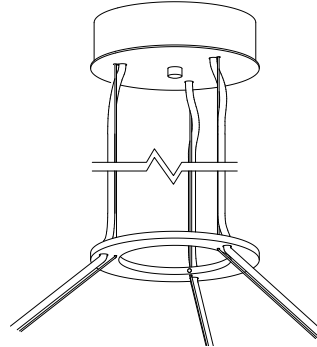
- The Capistrano is built in 3 sections and is assembled on site.
- 1/16" aircraft cable with cable grip suspension hardware included.
- 72" drop provided for a suspension types - add XD in order code for longer drops.
- 24" minimum drop for angled cable suspensions
- Angled suspension cable angles not to be less than 30 degrees from horizontal
- Canopies match seam plate material finish



Straight Suspension
(3) Canopies 5" Ø X .29"H



Angled Suspension
Canopy 8" Ø X 2"H



Collared Suspension
Canopy 6" Ø X 1.7"H
Collar 6" Ø X .25"H

Finish 1 - RING WALL



001
 Walnut
 CM - 001

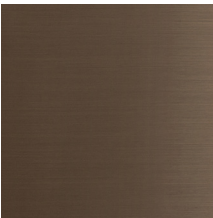
002
 Dark Stained Walnut
 CM - 002

095
 White Washed Oak
 CM - 095

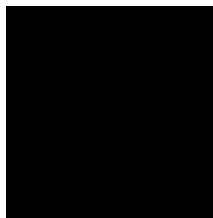
006
 Brushed Aluminum
 CM - 006

046
 Rose Gold
 CM - 046

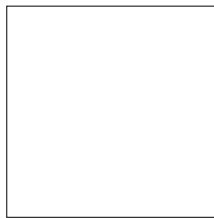
008
 Brushed Brass
 CM - 008



096
 Distressed Brass
 CM - 096

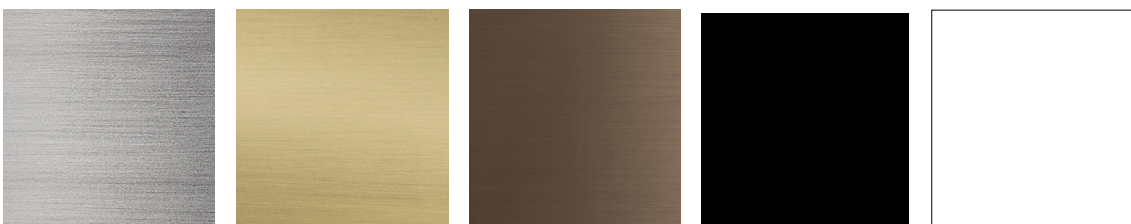


085
 Matte Black
 CM - 085



121
 Matte White
 CM - 121

Finish 2 - SEAM PLATE



119
 Brushed Aluminum
 CM - 119

120
 Brushed Brass
 CM - 120

117
 Distressed Brass
 CM - 117

049
 Textured Black
 Powder Coat
 CM - 049

060
 Textured White
 Powder Coat
 CM - 060