



Product Specification Sheet

BuzziZepp Light 120V / 100-240V/277V

— By Alain Gilles

A sleek acoustic light

BuzziZepp Light doubles as a sound-absorbing panel and can be paired with either our LED line and both Globe or Spot iterations of BuzziSol Trio and BuzziSol Quintet. This lighting solution additionally ensures your space has minimal echo and adequate lighting.



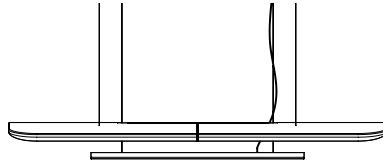
The Family

Models

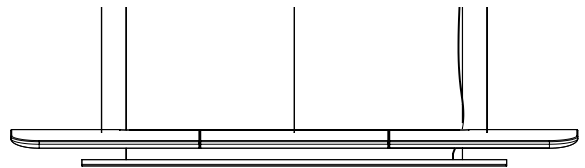
BuzziZepp Light Small

BuzziZepp Light Medium

Led Line S

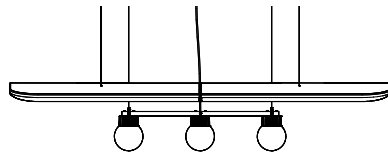


Led Line M

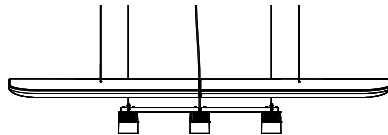


Lighting Units

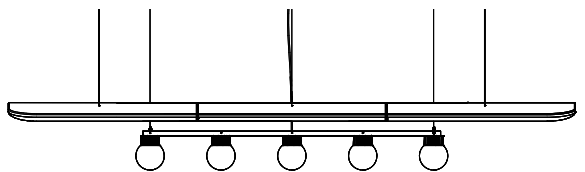
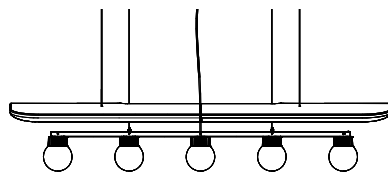
Sol Trio Globe



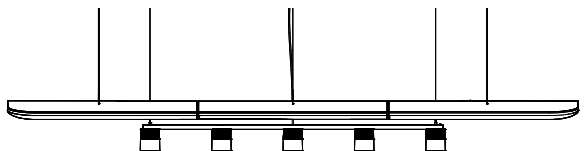
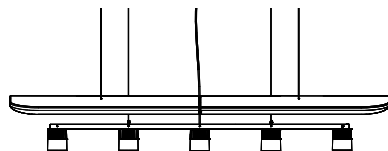
Sol Trio Spot



Sol Quintet Globe



Sol Quintet Spot



Required order information

1. Size
2. Fabric (CAT -> Collection -> Color)
3. Light Option
4. Mounting Option

Lighting Data

Lighting Units

Led Line



BuzziSpace LED Line is a slim U-shaped LED profile for continuous direct lighting. The unit consists of a powder-coated black profile finished with a polycarbonate diffuser. The LED Lines are available in two sizes: S and M.

BuzziSol Globe



BuzziSol collection are suspended LED fixtures consisting of 3 or 5 powder-coated black heatsinks with LED chip on board (COB) light sources. The product can be finished with a frosted glass globe diffuser which spreads the light in a large beam angle of 170°, enlighting the surroundings or reflector spot adaptors directing the light with a beam angle of 38° downwards.

Spot



Lighting specifications

BuzziZepp Light Small (Length 78.74" - Width 46.06")

Lighting Unit	Voltage	Wattage	Light Output Luminaire	Efficacy (Lm/W)	CRI	Dimming	Color Temperature	UGR	Standard (stock) On request (>LT)	Color Power Cable	Color Ceiling Canopy	Fabric Collection	Fabric Color	Mounting Option
LED Line S	120 - 277V	33W	2300 Lm	71	90	1-10V	3000K	23	Standard	Transparent	Black			
LED Line S	120 - 277V	33W	2300 Lm	71	90	1-10V	2700K	24	On Request	Transparent	Black			
Sol Trio Globe	110 - 240V/277V	60W	3 x 1500 Lm	75	90	1-10V	3000K	23	Standard	Black	Black	Use color codes below	Use color codes below	4 cables of 78.74" Alu or Black
Sol Trio Spot	110 - 240V/277V	60W	3 x 1500 Lm	75	90	1-10V	3000K	12	Standard	Black	Black	Use color codes below	Use color codes below	4 cables of 196.85" Alu or Black
Sol Quintet Globe	110 - 240V/277V	90W	5 x 1500 Lm	83	90	1-10V	3000K	23	Standard	Black	Black			
Sol Quintet Spot	110 - 240V/277V	90W	5 x 1500 Lm	83	90	1-10V	3000K	12	Standard	Black	Black			

BuzziZepp Light Medium (Length 118.11" - Width 46.06")

Lighting Unit	Voltage	Wattage	Light Output Luminaire	Efficacy (Lm/W)	CRI	Dimming	Color Temperature	UGR	Standard (stock) On request (>LT)	Color Power Cable	Color Ceiling Canopy	Fabric Collection	Fabric Color	Mounting Option
LED Line M	120 - 277V	65W	4600 Lm	71	90	1-10V	3000K	23	Standard	Transparent	Black			
LED Line M	120 - 277V	65W	4600 Lm	71	90	1-10V	2700K	24	On Request	Transparent	Black			
Sol Quintet Globe	110 - 240V/277V	90W	5 x 1500 Lm	83	90	1-10V	3000K	23	Standard	Black	Black	Use color codes below	Use color codes below	6 cables of 78.74" Alu or Black
Sol Quintet Spot	110 - 240V/277V	90W	5 x 1500 Lm	83	90	1-10V	3000K	12	Standard	Black	Black			6 cables of 196.85" Alu or Black

cULus listed

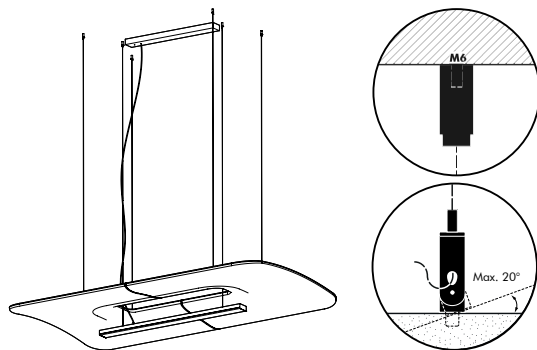


PEFC PEFC/07-32-385

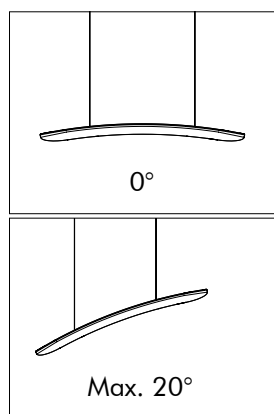
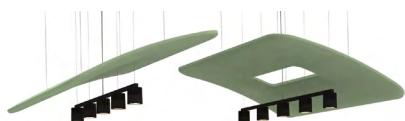
Product Data

Fixing System

Fixing System Acoustic Panel



4 (Small) or 6 (Medium) cables of 78.74" - 196.85" black or alu colored cables



The acoustic panel can be mounted straight or slanted, with a maximum angle of 20° to create a more secluded setting.



Fixing System Lighting

All light elements are suspended independently from the acoustic panel with 2 cables.

Formations, as with other architectural features located in the ceiling plane, may obstruct or skew the existing or planned fire sprinkler water distribution pattern, or possibly delay the activation of the fire sprinkler or fire detection system. Designers and installers are advised to consult a protection engineer, NFPA 13, and their local codes for guidance on the proper installation techniques where detection or suppression systems are present.

- ⚠ The product must be suspended on a solid structure or ceiling, taking into account the weight of the product and the local regulation.

Acoustic Panel



The acoustic panel is upholstered front to back in a chosen fabric.

Core: poplar multiplex

Filling: acoustic foam



Absorption



Diffusion



Attenuation



Low tone



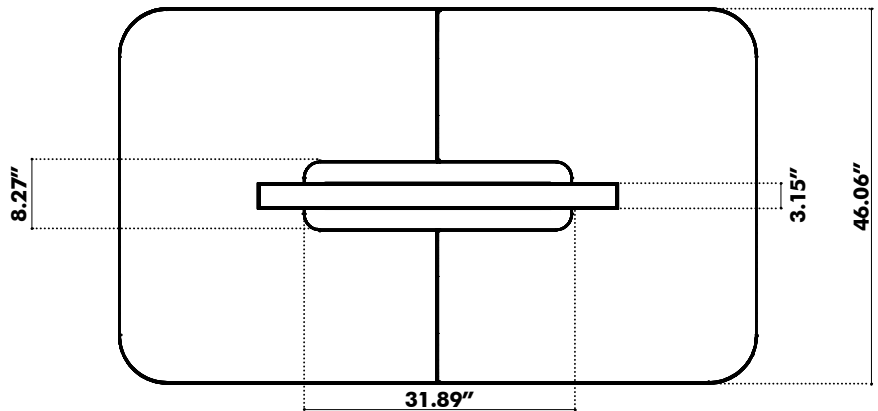
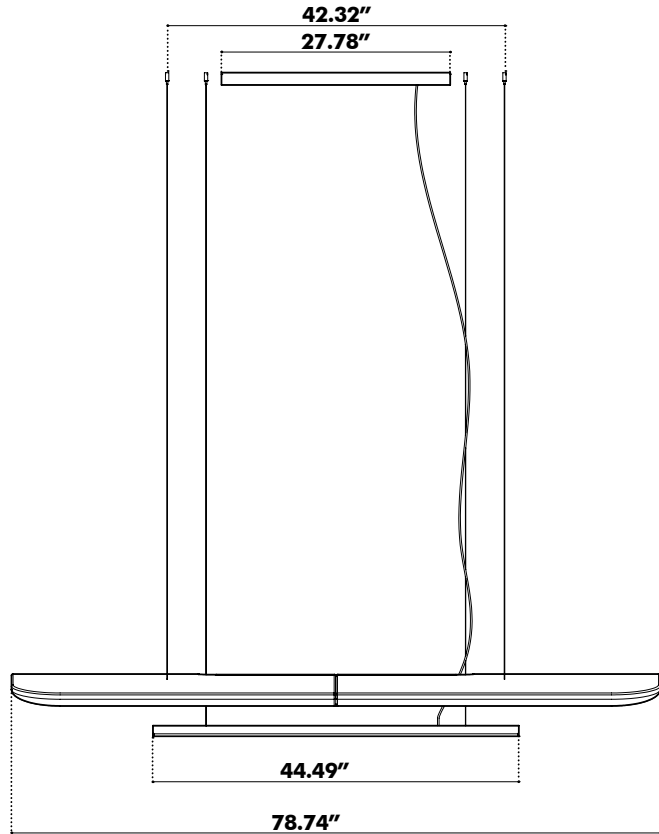
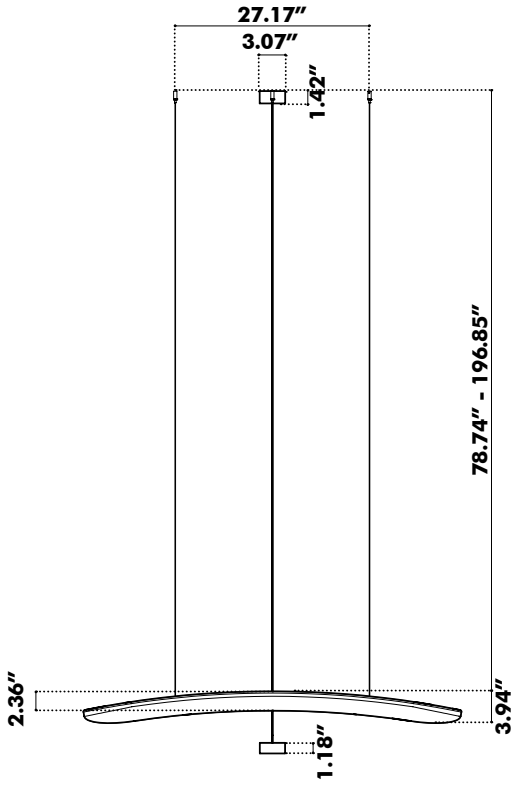
Mid tone



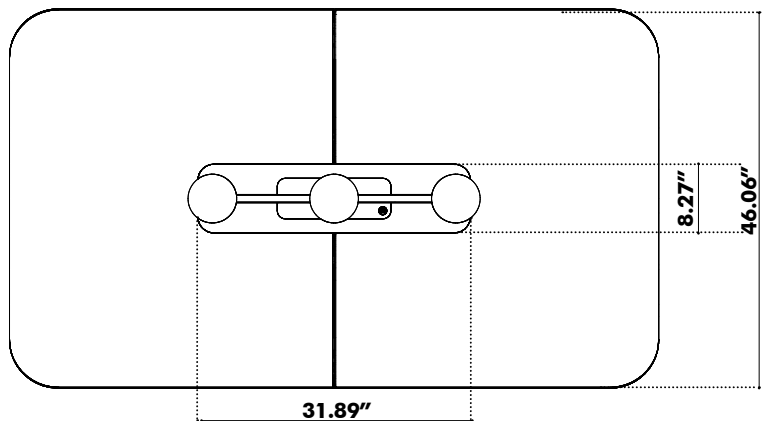
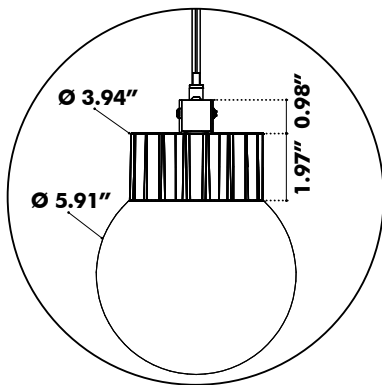
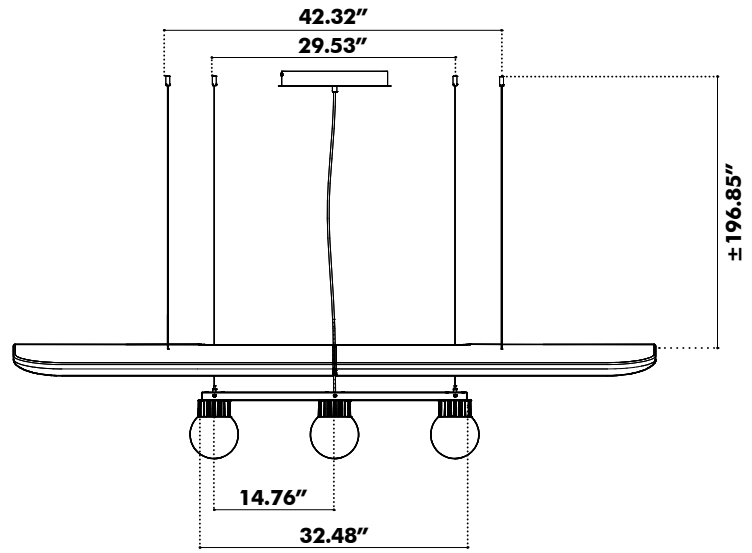
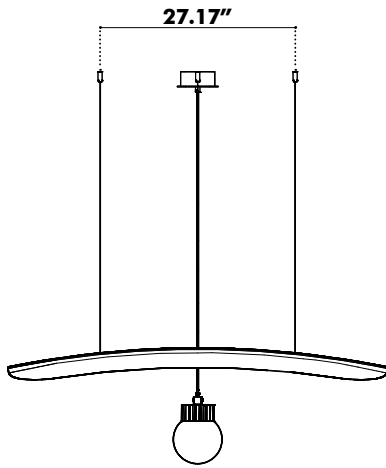
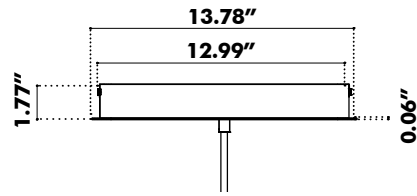
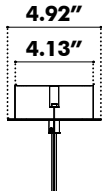
High tone

Dimensions

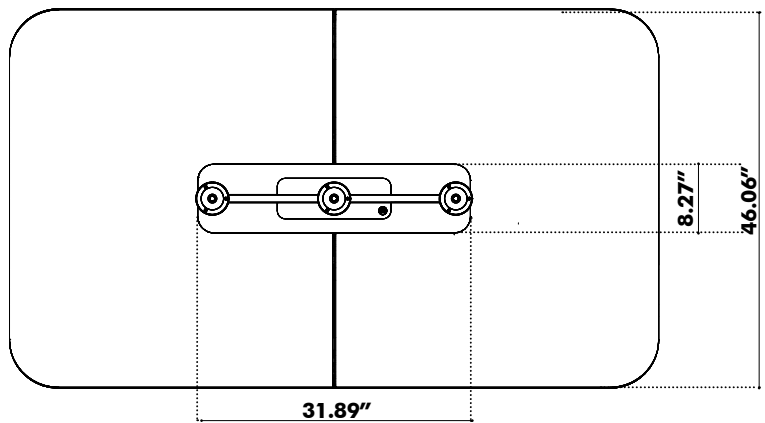
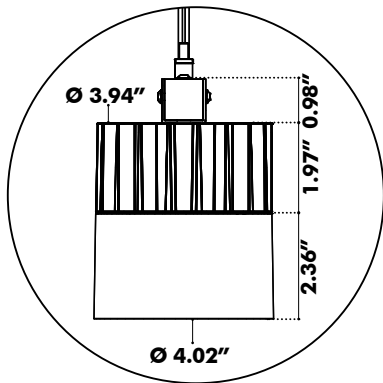
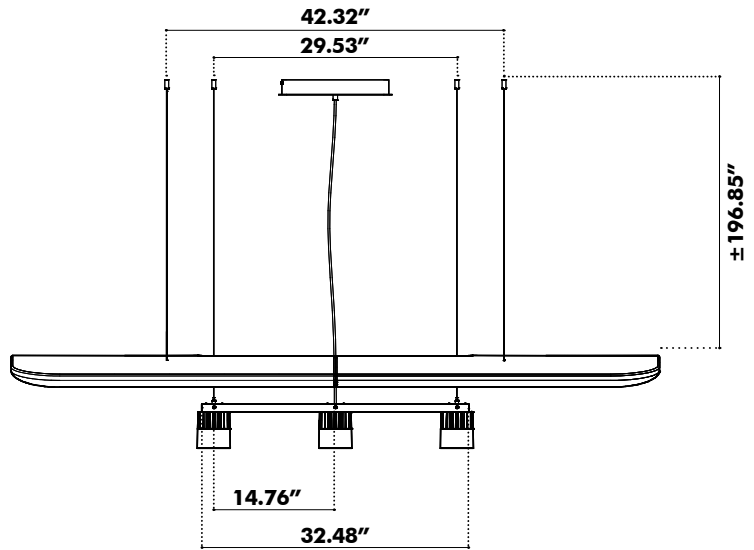
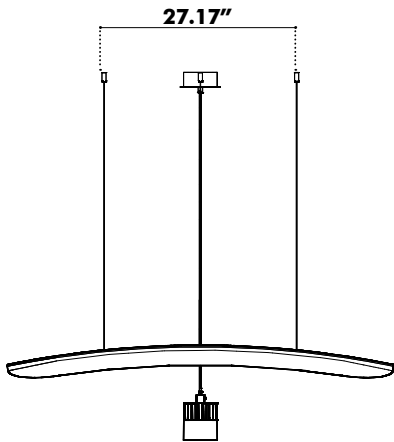
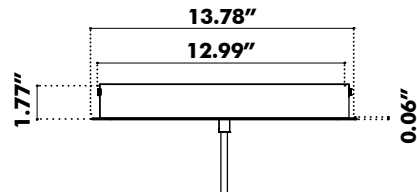
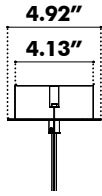
Small
Led Line S



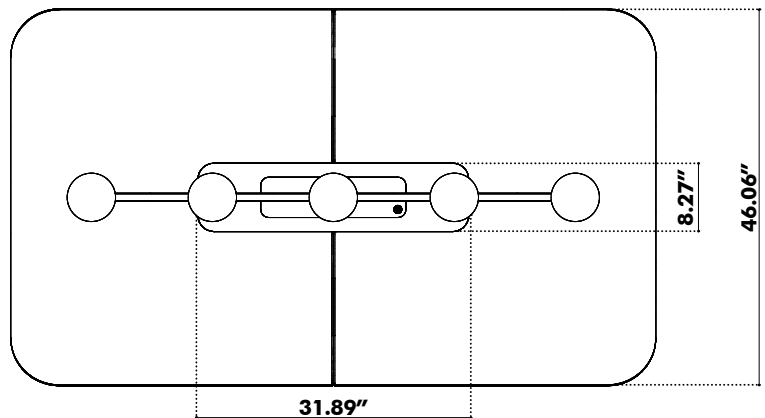
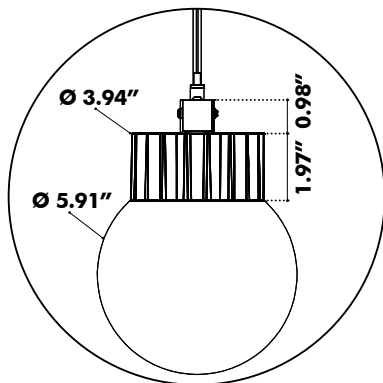
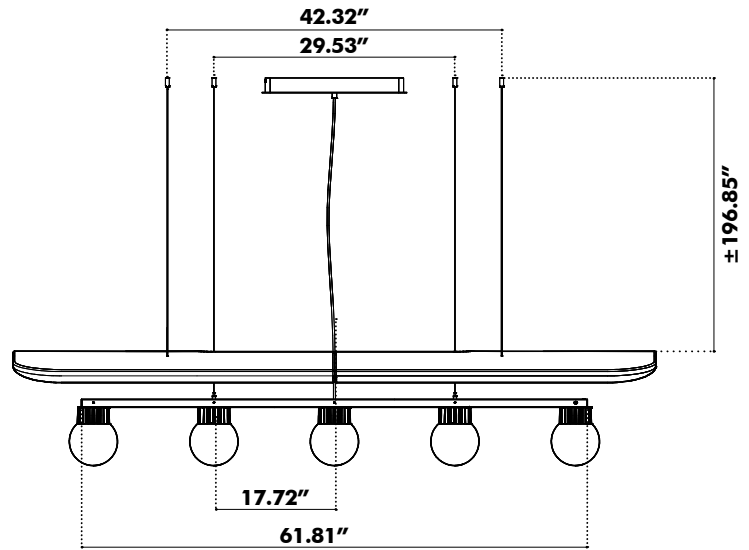
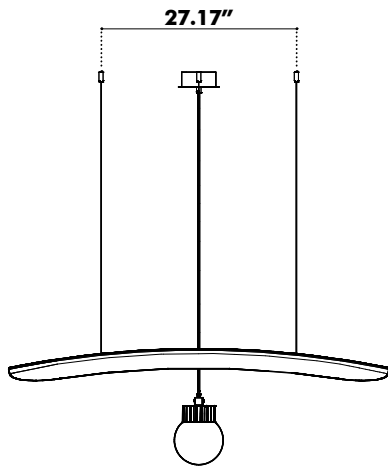
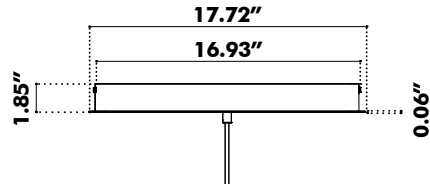
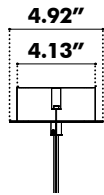
**Small
Sol Trio Globe**



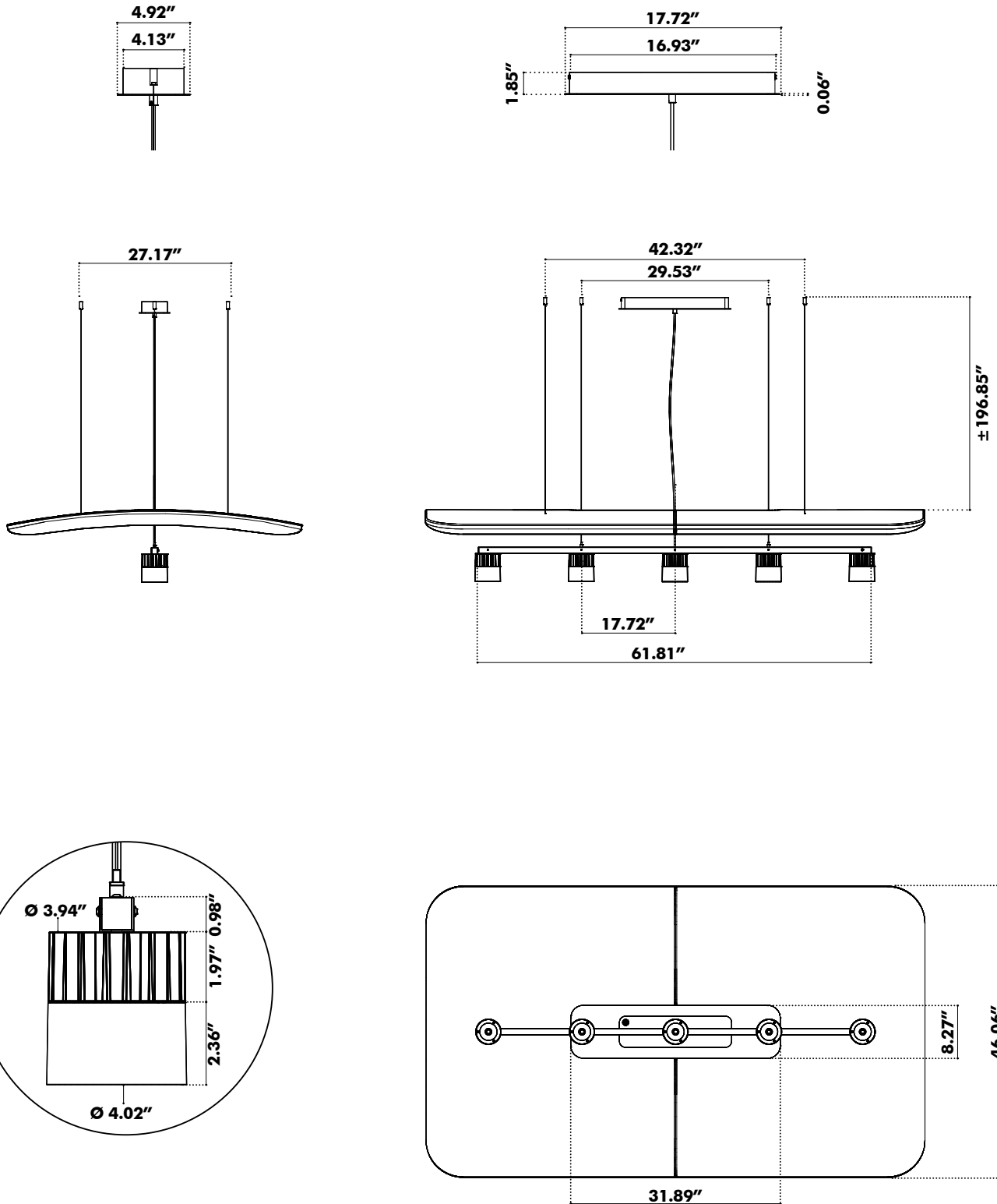
**Small
Sol Trio Spot**



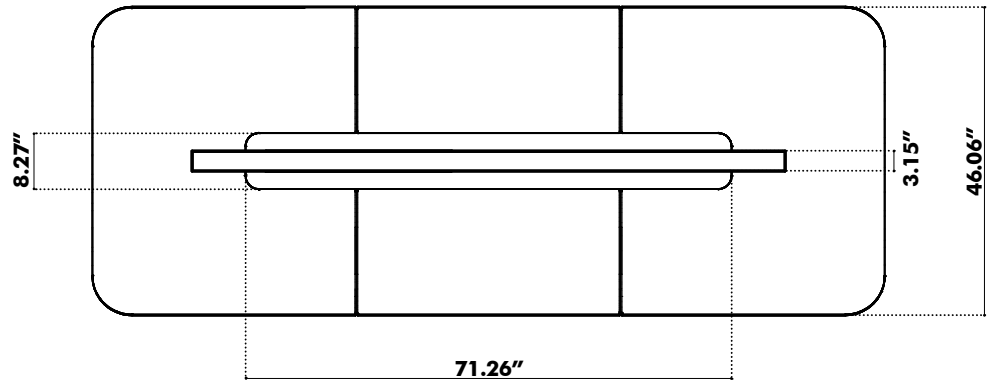
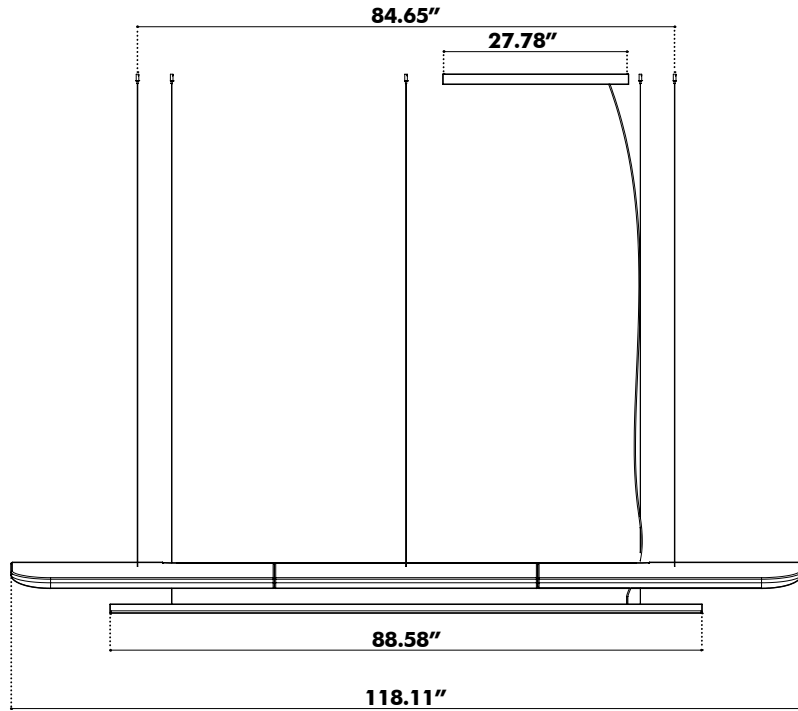
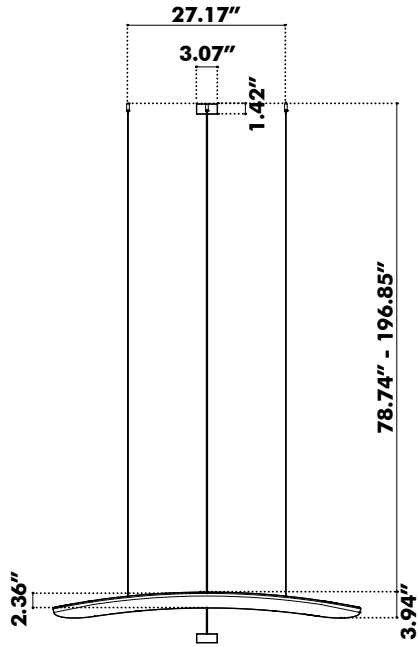
**Small
Sol Quintet Globe**



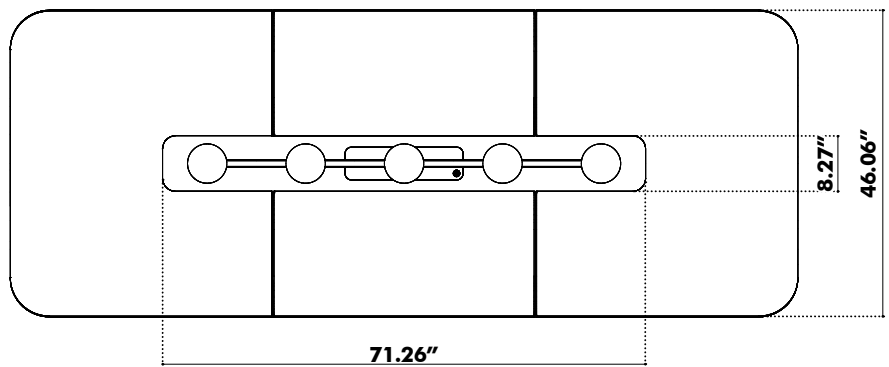
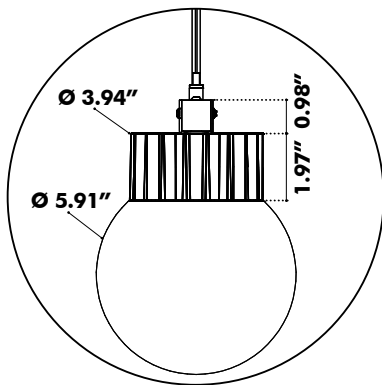
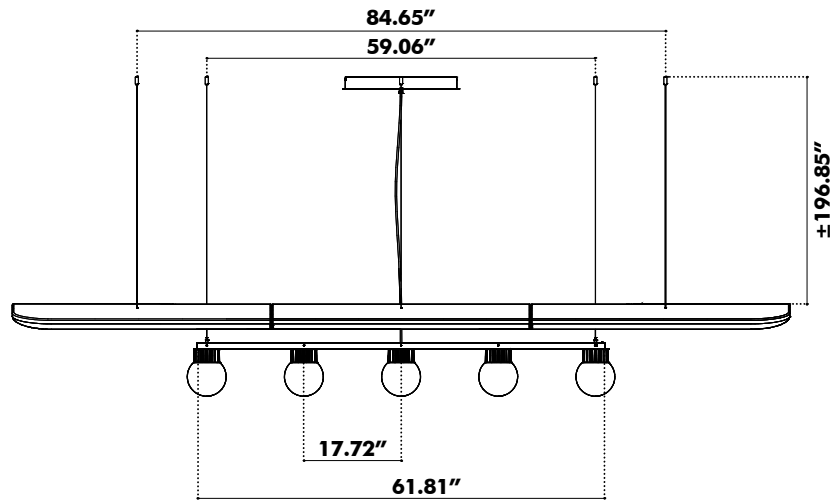
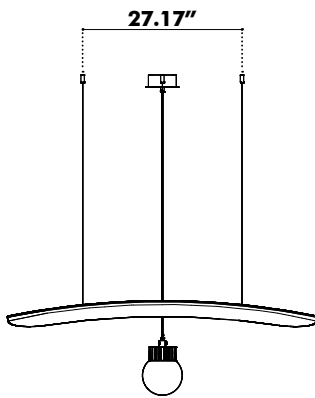
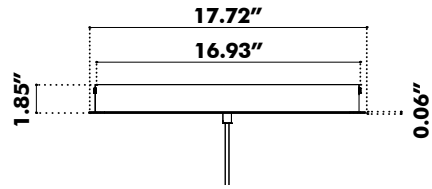
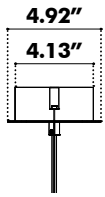
**Small
Sol Quintet Spot**



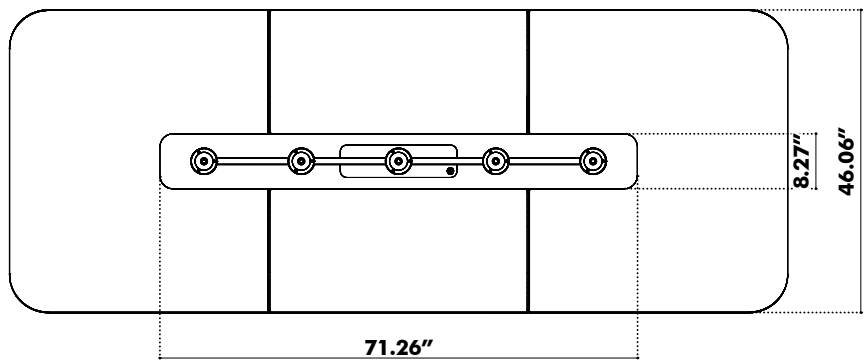
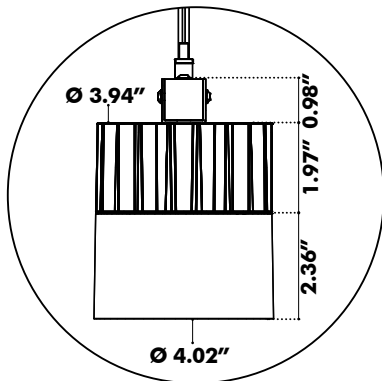
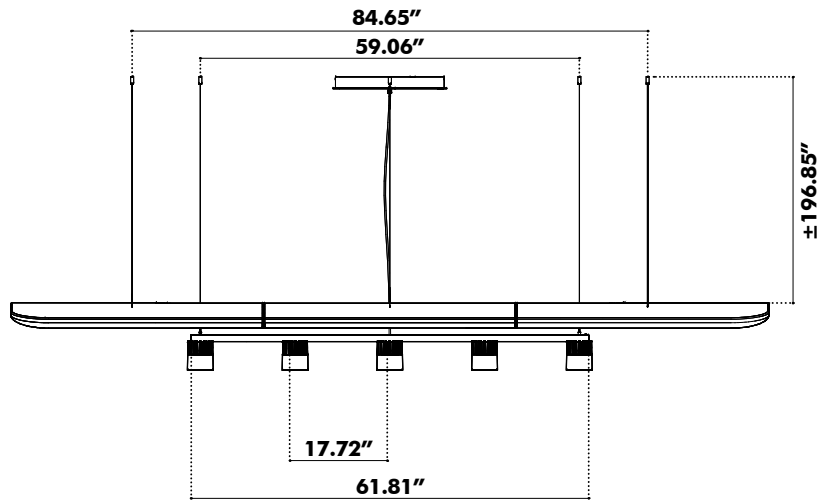
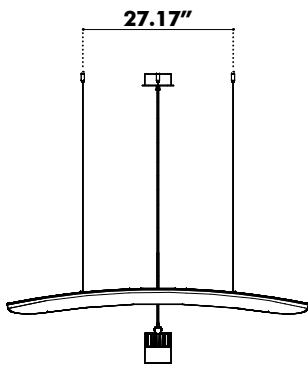
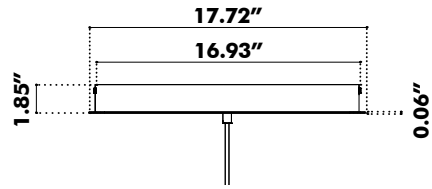
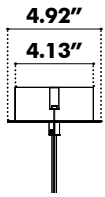
**Medium
Led Line M**



**Medium
Sol Quintet Globe**

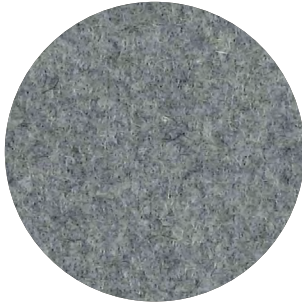


**Medium
Sol Quintet Spot**



Fabrics

Fabric (45 colors)



Category A

Composition 70% Recycled Wool, 25% Recycled Polyacryl,
5% Recycled Other Fabrics

Weight 405 g/m² | 11.94 oz/yd²

Abrasion resistance 40.000 Martindale, 50,000 Wyzenbeek

Flammability EU: EN 1021.1/2006 | BS EN 1021.1/2006 (cigarette).
EN 1021.2/2006 | BS EN 1021.2/2006 (match)
USA: CAL TB 117 | ASTM E84 CLASS A

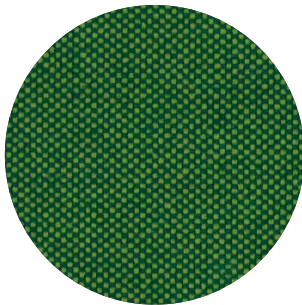
Fastness to light EU: 4 | USA 4

Fastness to rubbing EU: Wet 3-4 | Dry 4-5

Fastness to crocking USA: Wet 5 | Dry 5



Trevira CS+ | CS (47 colors)



Category A

Weight 420 g/m² | 12.39 oz/yd²

Composition 100% Polyester, Trevira CS

Abrasion resistance 100.000 Martindale, 90,000 Wyzenbeek

Flammability BS 5852 part II: CRIB 5 | BS 7176 Medium Hazard
USA: CAL TB 117 | M1 | B1 | EN 1021/1-2 | C1 |
IMO Res. A652 (16)

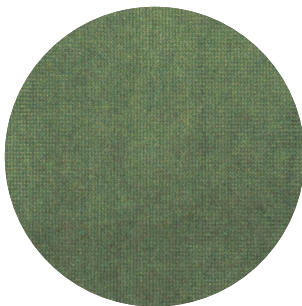
Fastness to light EU: 6 | USA 5

Fastness to rubbing EU: Wet 4-5 | Dry 4-5

Fastness to crocking USA: Wet 5 | Dry 5



Velvet (12 colors)



Category B

Composition 100% PES

Weight 375 g/m² | 11.06 oz/yd²

Abrasion resistance > 100.000 Martindale

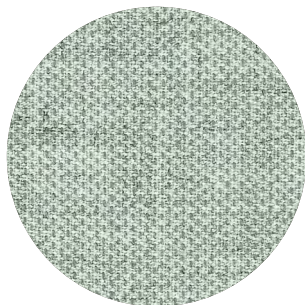
Fastness to light EU: 4-5

Fastness to rubbing EU: Wet 4 | Dry 4-5

Pilling EU: 4-5

Clara 2 (24 colors)

kvadrat



Category B

Composition 92% new wool, 8% nylon

Weight 400 g/lin.m

Abrasion resistance 80.000 Martindale rubs, EN ISO 12947

Flammability EN 1021-1/2 | BS 5852, ignition source 2-3 | DIN 4102 B2
NF D 60 013 | UNI 9175 11M | US Cal. Tech. Bull. 117, Sec. E
NFPA 260 | IMO A.652(16)

Fastness to light Note 5-7, ISO 105-B02

Fastness to rubbing (ISO) dry 4-5, wet 4

Pilling Note 4, EN ISO 12945



Remix 3 (73 colors)

kvadrat



Category B

Composition 90% new wool, 10% nylon

Weight 415 g/lin.m

Abrasion resistance 100.000 Martindale rubs, EN ISO 12947

Flammability EN 1021-1/2 | BS 5852 part 1
Önorm B1/Q1 | NF D 60 013 | UNI 9175, 11M
AS/NZS 1530.3 | Cal. Tech. Bull. 117-2013
NFPA 260 | IMO FTP Code 2010:Part 8

Fastness to light Note 5-7, ISO 105-B02

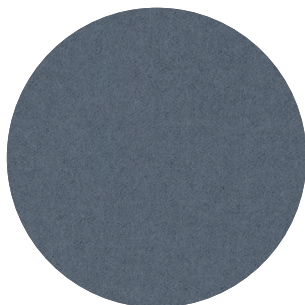
Fastness to rubbing (ISO) dry 4-5, wet 4

Pilling Note 4, EN ISO 12945



Hero 2 (33 colors)

kvadrat



Category C

Composition 97% new wool, 3% nylon

Weight 580 g/lin.m

Abrasion resistance 45.000 Martindale rubs, EN ISO 12947

Flammability EN 1021-1/2 | DIN 4102 B2 | NF D 60 013
UNI 9175 11M | US Cal. Bull. 117-2013 | NFPA 260
IMO A.652 (16)

Fastness to light Note 5-6, ISO 105-B02

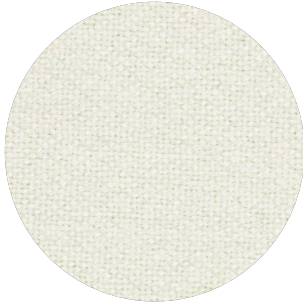
Fastness to rubbing (ISO) dry 4-5, wet 4-5

Pilling Note 3-4, EN ISO 12945



Tonus 4 (47 colors)

kvadrat



Category D

Composition 90% new wool, 10% Helanca

Weight 665 g/lin.m

Abrasion resistance 100.000 Martindale rubs, EN ISO 12947

Flammability EN 1021-1/2 | BS 5852 part 1 | DIN 4102 B2

Önorm B1/Q1 | NF D 60 013 | UNI 9175 11M

US Cal. Bull. 117-2013 | NFPA 260 | IMO A.652 (16)

Fastness to light Note 5-7, ISO 105-B02

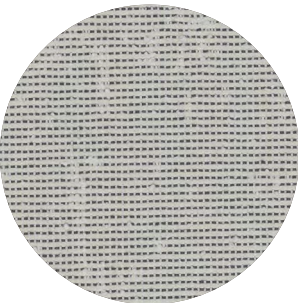
Fastness to rubbing (ISO) dry 3-5, wet 3-5

Pilling Note 3, EN ISO 12945



Memory 2 (20 colors)

kvadrat



Category E

Composition 100% Trevira CS

Weight 700 g/lin.m

Abrasion resistance

35.000 rubs acc. to the Martindale method, EN ISO 12947

Flammability EN 1021-1/2 | DIN 4102 B1 | Önorm B1/Q1

NF D 60 013 | NF P 92 507 M1 | UNI 9175 11M

UNI 9177 classe 1 | US Cal. Tech. Bull. 117

IMO A.652 (16)

Fastness to light Note 5-8, ISO 105-B02

Fastness to rubbing (ISO) dry 4-5, wet 4-5

Pilling Note 4, EN ISO 12945

