



Product Specification Sheet

BuzziShade Square 100-240V/277V

— By Stal Collectief

A reinvented classic

Thanks to BuzziShade Square and BuzziShade Square Beam's sleek and architectural design language, both options perfectly suit all kinds of workspaces, should they be in an office, education center, hospitality space, or beyond. The acoustic lighting solution doubles as a sound-absorbing panel and can be paired with either a Globe or Spot iteration of BuzziSol Solo (BuzziShade Square Medium only) and BuzziSol Trio (BuzziShade Square Beam only). BuzziShade Square can be outfitted in various BuzziFelt color combinations.



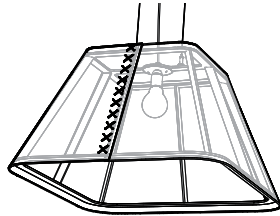
The Family

Models

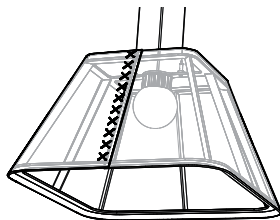
BuzziShade Square Medium

BuzziShade Square Beam

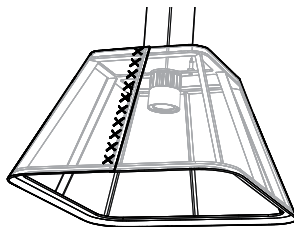
Retrofit E26
(bulb excluded)



Sol Solo Globe

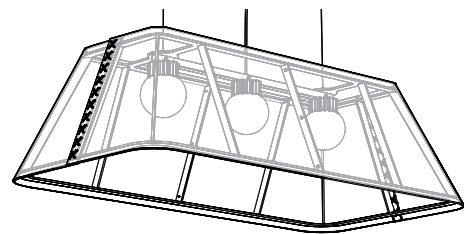


Sol Solo Spot

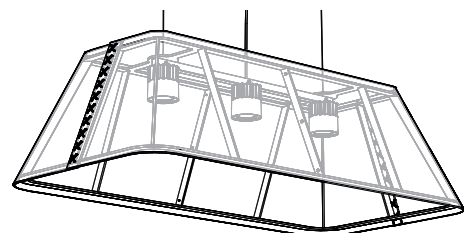


Lighting Units

Sol Trio Globe



Sol Trio Spot



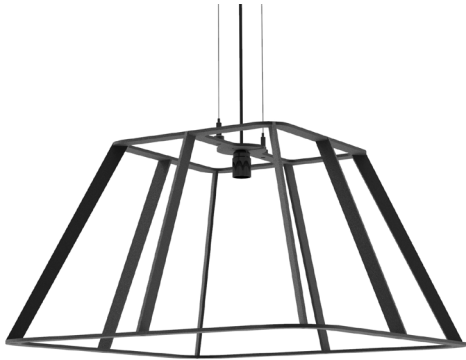
Required order information

1. Model
2. Light Option
3. Color Frame
4. BuzziFelt Color
5. Color Lace
6. Mounting Option
7. Color Ceiling Canopy (only for Retrofit)
8. Color Power Cable (only for Retrofit)

Lighting Data

Lighting Units

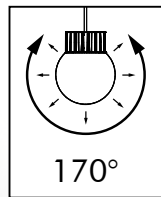
Retrofit Lighting unit



Retrofit E26 bulb excluded, Max 100W.

BuzziSol

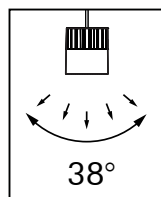
Globe



BuzziSol is a suspended LED fixture consisting of 1 or 3 powder-coated black heatsink with LED chip on board (COB) light source(s).

The product can be finished with a frosted glass globe diffuser which spreads the light in a large beam angle of 170°, enlighting the surroundings or a reflector spot adaptor directing the light with a beam angle of 38° downwards.

Spot



Lighting specifications

BuzziShade Square Medium

Lighting Unit	Voltage	Wattage	Light Output Luminaire	Efficacy (Lm/W)	CRI	Dimming	Color Temperature	UGR	Standard (stock) On request (>LT)	Color Power Cable	Color Ceiling Canopy	Color Metal Frame	Color Lace	Fabric Collection	Fabric Color	Mounting Option
Retrofit E26 bulb excl.	100-240V/277V	Max.100W	-	-	-	-	-	-	Standard	Black or Red	Black or White	Black, White, Fluorescent Orange or Aluminium	Black, White or Fluorescent Orange	Use color codes below	Use color codes below	2 cables of 78.74" or 196.85" m Alu or Black
Sol Solo Globe	100-240V/277V	32W	1500 Lm	46,8	90	1-10V	3000K	23	Standard	Black	Black	Black, White, Fluorescent Orange or Aluminium	Black, White or Fluorescent Orange	Use color codes below	Use color codes below	2 cables of 78.74" or 196.85" m Alu or Black
Sol Solo Spot	100-240V/277V	32W	1500 Lm	46,8	90	1-10V	3000K	12	Standard	Black	Black	Black, White, Fluorescent Orange or Aluminium	Black, White or Fluorescent Orange	Use color codes below	Use color codes below	2 cables of 78.74" or 196.85" m Alu or Black

BuzziShade Square Beam

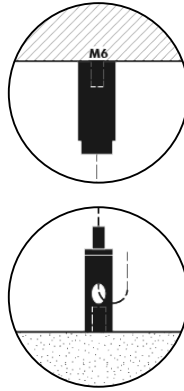
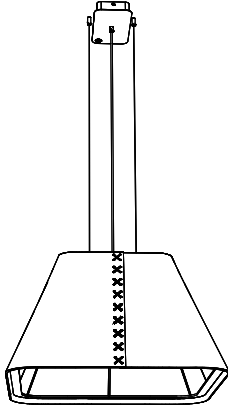
Lighting Unit	Voltage	Wattage	Light Output Luminaire	Efficacy (Lm/W)	CRI	Dimming	Color Temperature	UGR	Standard (stock) On request (>LT)	Color Power Cable	Color Ceiling Canopy	Color Metal Frame	Color Lace	Fabric Collection	Fabric Color	Mounting Option
Sol Trio Globe	100-240V/277V	60W	3 x 1500 Lm	75	90	1-10V	3000K	23	Standard	Black	Black	Black, White or Aluminium	Black, White or Fluorescent Orange	Use color codes below	Use color codes below	2 cables of 78.74" or 196.85" m Alu or Black
Sol Trio Spot	100-240V/277V	60W	3 x 1500 Lm	75	90	1-10V	3000K	12	Standard	Black	Black	Black, White or Aluminium	Black, White or Fluorescent Orange	Use color codes below	Use color codes below	2 cables of 78.74" or 196.85" m Alu or Black

cULus listed

Product Data

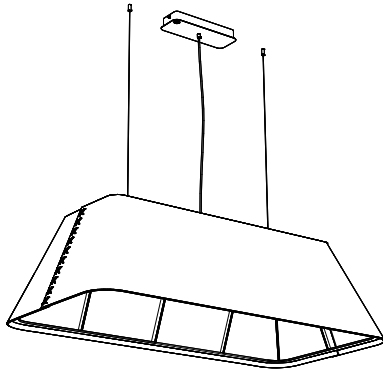
Fixing System

Fixing System Acoustic Panel



BuzziShade Square Medium is suspended on 2 cables of 78.74" or 196.85" black or alu colored cables, with fixing system screw.

Fixing System Lighting



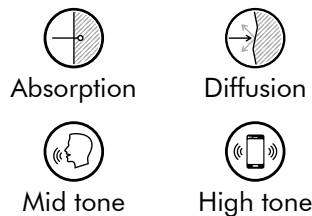
The light element of BuzziShade Square Beam is suspended independently from the acoustic panel with 2 cables of 78.74" or 196.85" black or alu colored cables, with fixing system screw.

⚠ If installing on suspended ceiling, verify load capacity prior to installation.

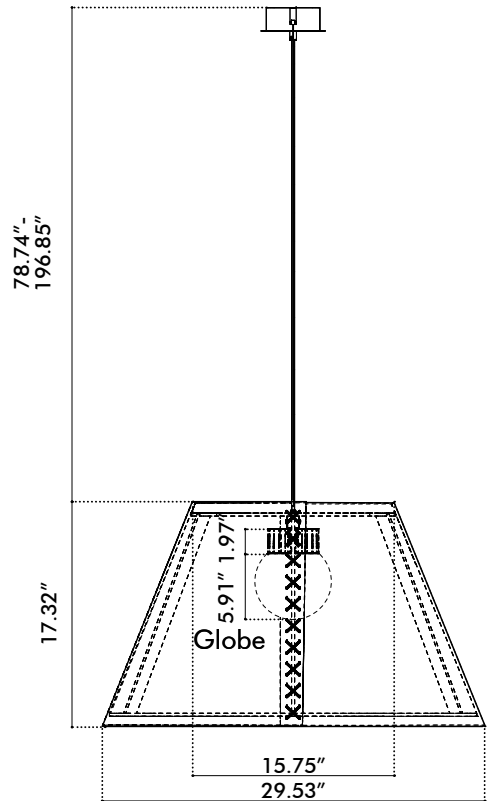
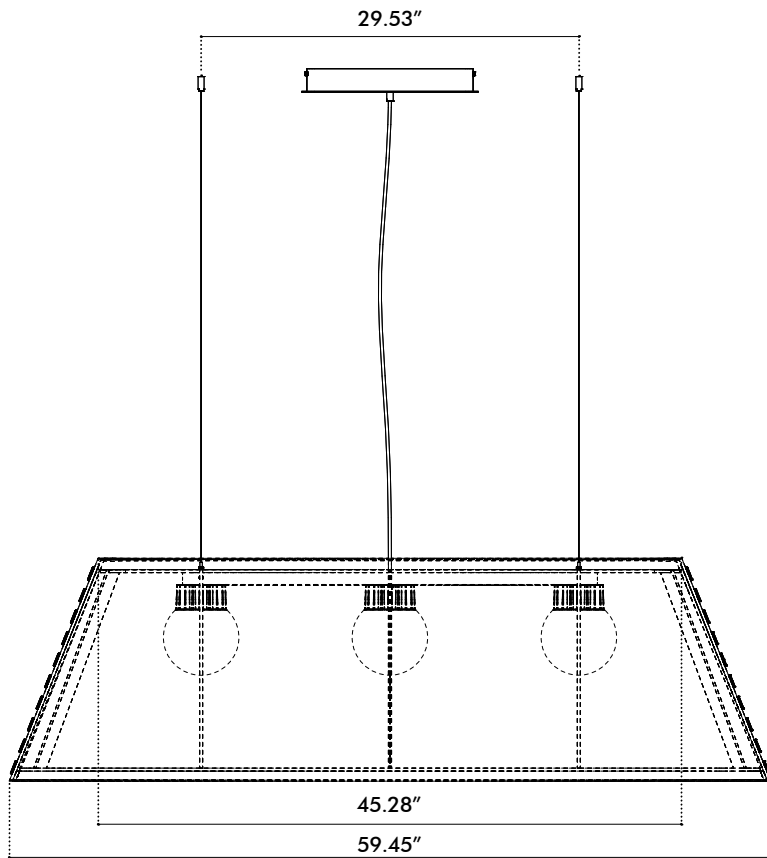
Acoustic Panel



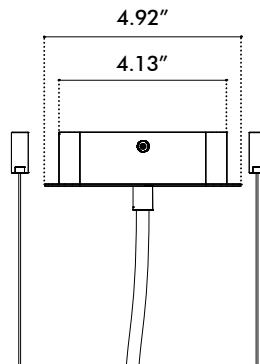
The acoustic panel consists of one layer of BuzziFelt with a lace in black, white or fluorescent orange.



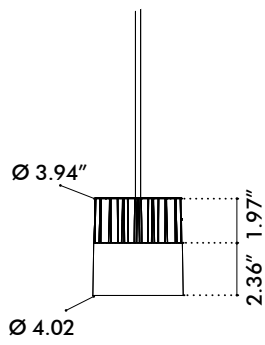
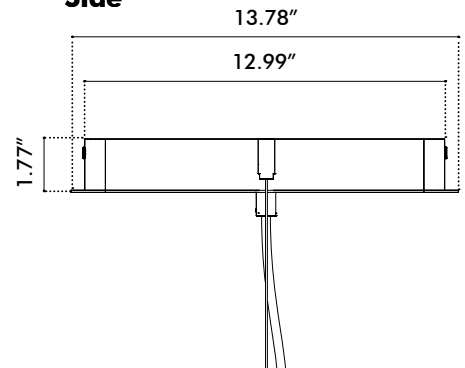
BuzziShade Square LED Beam



Front



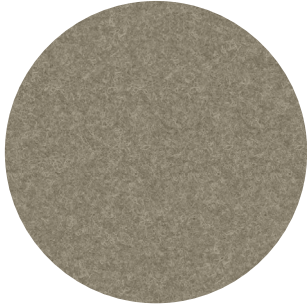
Side



Spot

Fabrics

Felt (12 colors)



Composition 100% Recycled PE.T. Felt, latex backing

Weight 1.000 g/m2 | 29.49 oz/yd2

Abrasion resistance >7.000 Martindale

Flammability EU: EN 13501.1 + A1/2009 Class B-s1,d0
USA: ASTM E84 Class A certified

Fastness to light USA 5

