



Product Specification Sheet

BuzziJet 120-277V

— By BuzziSpace Studio

Powerful acoustic circle of light

Form follows function with BuzziJet, an intentionally simple design based on the principles of geometric acoustics. Wide in diameter, this cylindrical design allows sound waves to bounce back-and-forth within the radius of its circular body, and in turn mitigates noise. BuzziJet is considerable in size, yet appears lightweight and airy thanks to its upholstered foam core. Its soft presence evokes a majestic sense of serenity. Concealed inside the body, a powerful light source emits warm, pleasant light.



The Family

Models

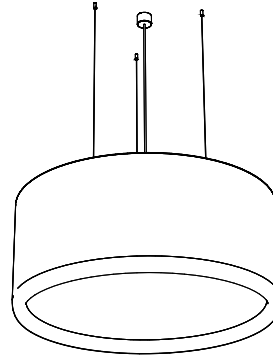
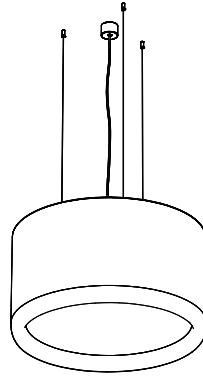
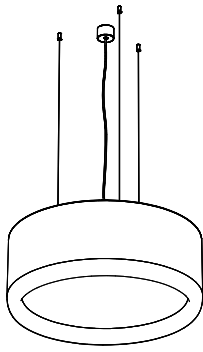
BuzziJet S

BuzziJet M

BuzziJet XL

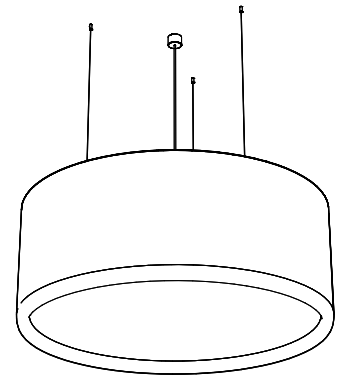
BuzziJet XXL

LED Disk
Ø 470



Lighting Units

LED Disk
Ø 670



Required order information

1. Size
2. Fabric (CAT -> Collection -> Color)
3. Mounting Option

Lighting specifications

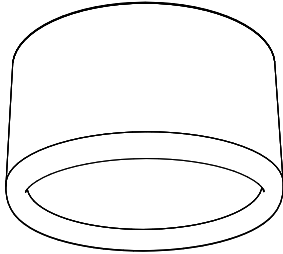
BuzziJet S														
Lighting Unit	Voltage	Wattage	Light Output Luminaire	Efficacy (Lm/W)	CRI	Dimming	Color Temperature	UGR	Standard (stock) On request (>LT)	Color Power Cable	Color Ceiling Canopy	Fabric Collection	Fabric Color	Mounting Option
LED Disk Ø 470	120 - 277V	35W	2545 Lm	73	90	1-10V	3000K	22	Standard	Transparent	White	Use color codes below	Use color codes below	Ceiling Mounted Ceiling Suspended Straight: 3 cables of 78.74" or 157.48" in black or alu Ceiling Suspended Split: 3 cables of 78.74" or 157.48" in black or alu
BuzziJet M														
Lighting Unit	Voltage	Wattage	Light Output Luminaire	Efficacy (Lm/W)	CRI	Dimming	Color Temperature	UGR	Standard (stock) On request (>LT)	Color Power Cable	Color Ceiling Canopy	Fabric Collection	Fabric Color	Mounting Option
LED Disk Ø 470	120 - 277V	35W	2545 Lm	73	90	1-10V	3000K	22	Standard	Transparent	White	Use color codes below	Use color codes below	Ceiling Mounted Ceiling Suspended Straight: 3 cables of 78.74" or 157.48" in black or alu Ceiling Suspended Split: 3 cables of 78.74" or 157.48" in black or alu
BuzziJet XL														
Lighting Unit	Voltage	Wattage	Light Output Luminaire	Efficacy (Lm/W)	CRI	Dimming	Color Temperature	UGR	Standard (stock) On request (>LT)	Color Power Cable	Color Ceiling Canopy	Fabric Collection	Fabric Color	Mounting Option
LED Disk Ø 470	120 - 277V	35W	2545 Lm	73	90	1-10V	3000K	22	Standard	Transparent	White	Use color codes below	Use color codes below	Ceiling Mounted Ceiling Suspended Straight: 3 cables of 78.74" or 157.48" in black or alu Ceiling Suspended Split: 3 cables of 78.74" or 157.48" in black or alu
BuzziJet XXL														
Lighting Unit	Voltage	Wattage	Light Output Luminaire	Efficacy (Lm/W)	CRI	Dimming	Color Temperature	UGR	Standard (stock) On request (>LT)	Color Power Cable	Color Ceiling Canopy	Fabric Collection	Fabric Color	Mounting Option
LED Disk Ø 670	120 - 277V	70W	6232 Lm	89	90	1-10V	3000K	23	Standard	Transparent	White	Use color codes below	Use color codes below	Ceiling Suspended Straight: 3 cables of 78.74" or 157.48" in black or alu

cULus listed  PEFC® PEFC/07-32-385

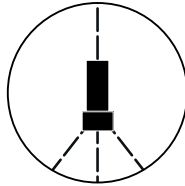
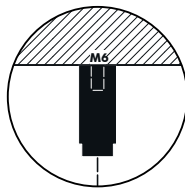
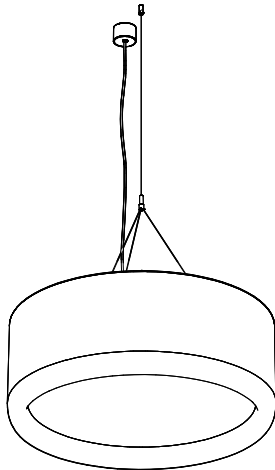
Product Data

Fixing System

Ceiling Mounted (only available for BuzziJet S | M)

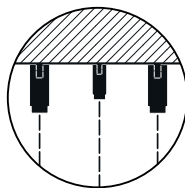
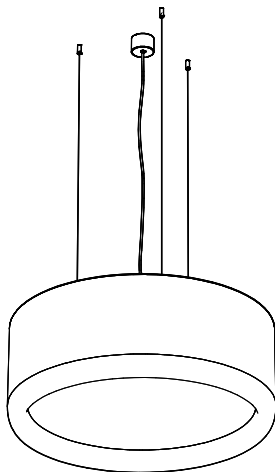


Ceiling Suspended Split (only available for BuzziJet S | M)



Ceiling Suspended Split
Fixing System Screw with 3 split cables and 1 main cable, total length of 78.74" or 157.48" (black or alu)
Min. distance of shade to ceiling is 19.70"

Ceiling Suspended Straight



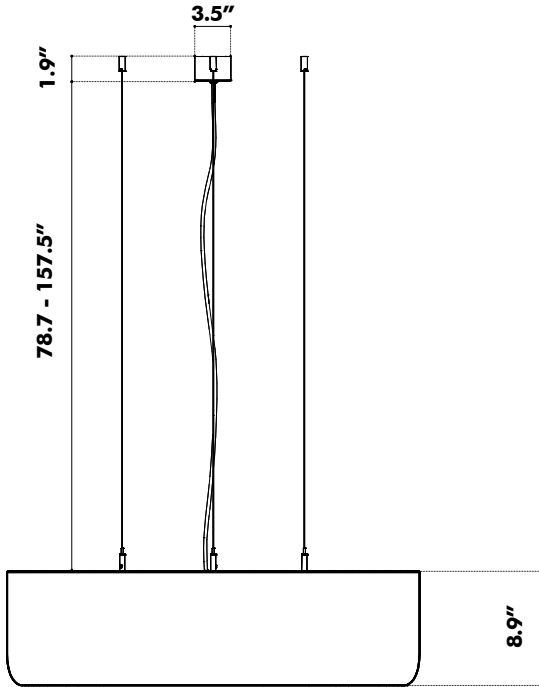
Ceiling Suspended Straight
Fixing System Screw with 3 cables of 78.74" or 157.48" (black or alu)
Min. distance of shade to ceiling is 3.90"

▲ If installing on suspended ceiling, verify load capacity prior to installation.

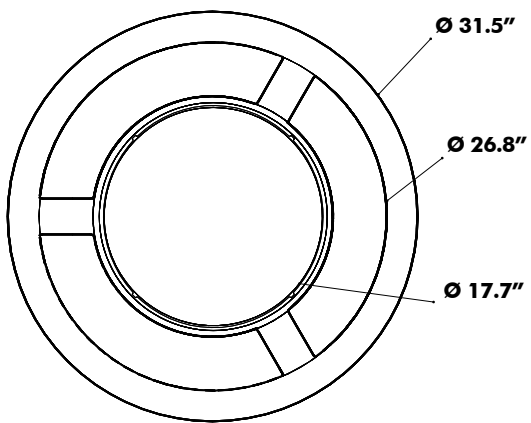
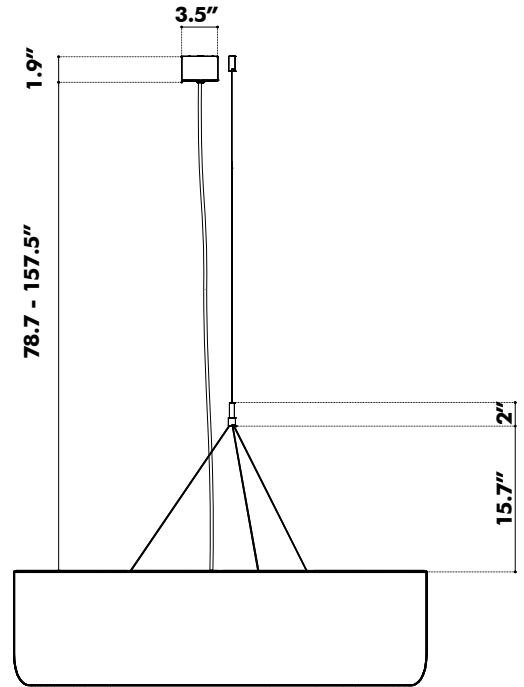
Dimensions

BuzziJet Ceiling Suspended S

Straight

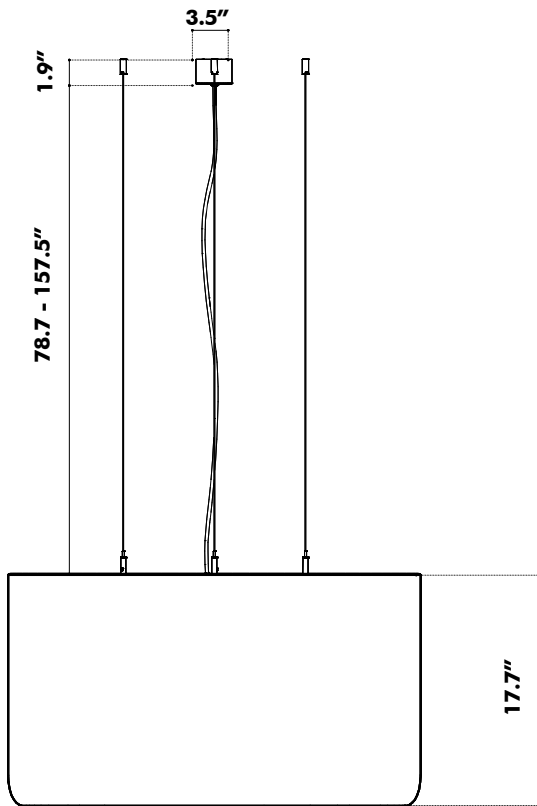


Split

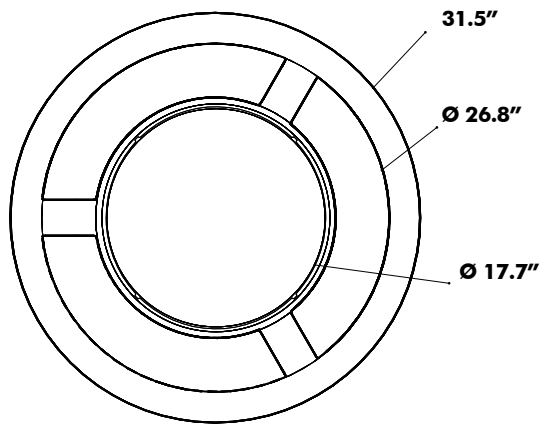
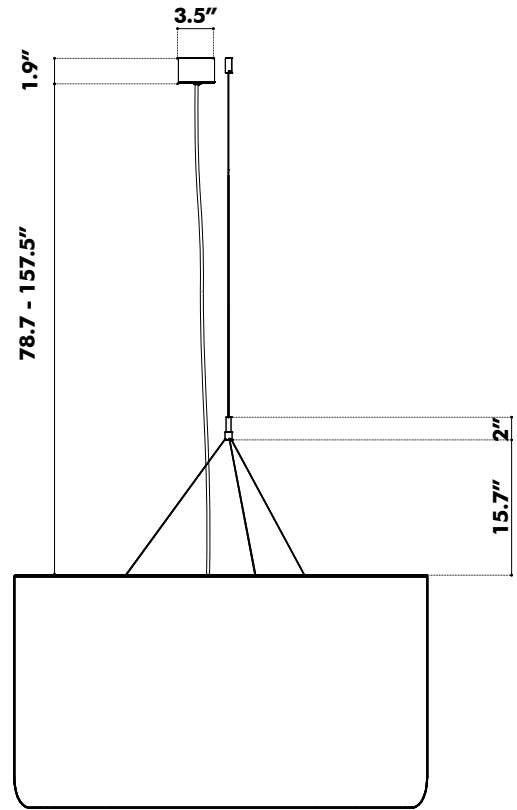


BuzziJet Ceiling Suspended M

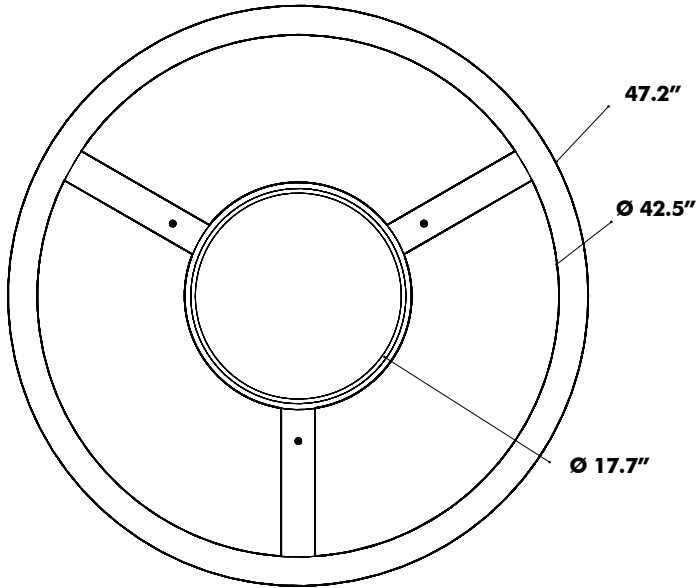
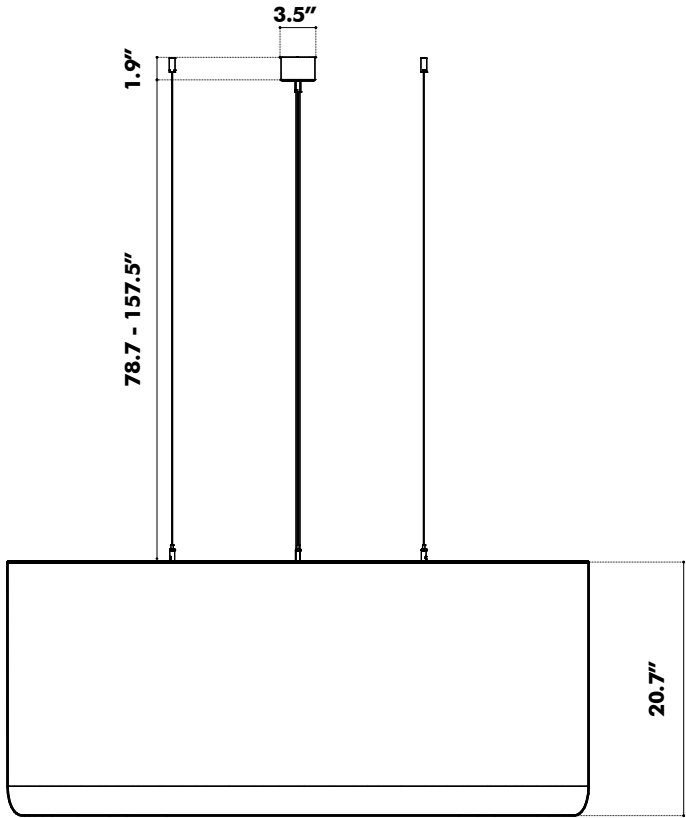
Straight



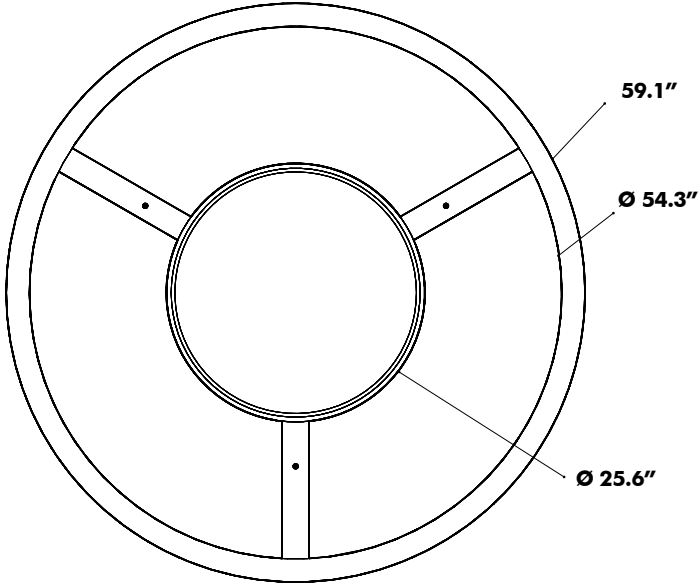
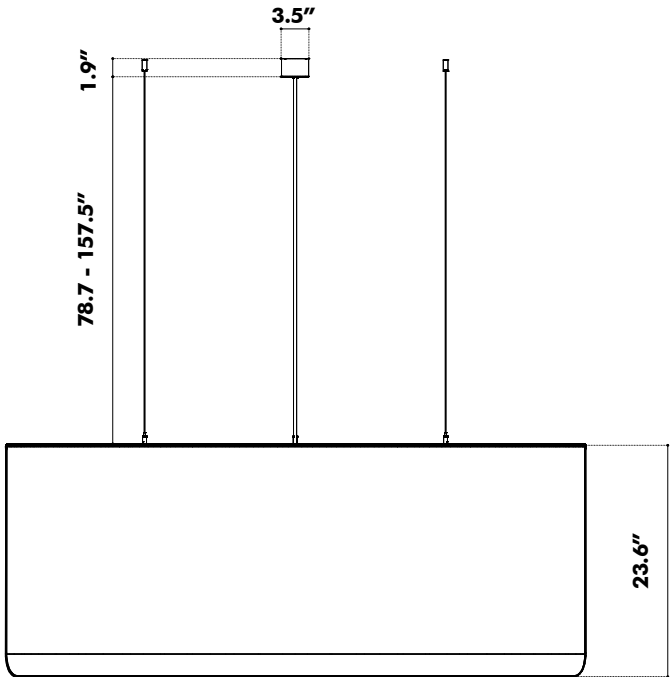
Split



BuzziJet Ceiling Suspended XL

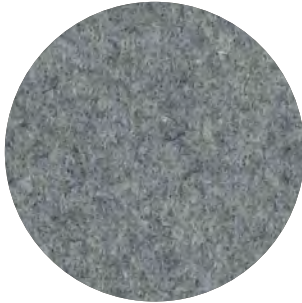


BuzziJet Ceiling Suspended XXL



Fabrics

Fabric (45 colors)



Category A

Composition 70% Recycled Wool, 25% Recycled Polyacryl,
5% Recycled Other Fabrics

Weight 405 g/m² | 11.94 oz/yd²

Abrasion resistance 40.000 Martindale, 50,000 Wyzenbeek

Flammability EU: EN 1021.1/2006 | BS EN 1021.1/2006 (cigarette).
EN 1021.2/2006 | BS EN 1021.2/2006 (match)
USA: CAL TB 117 | ASTM E84 CLASS A

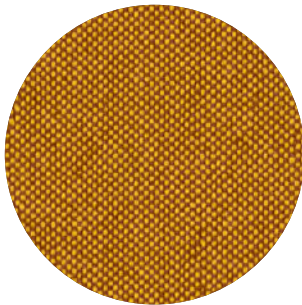
Fastness to light EU: 4 | USA 4

Fastness to rubbing EU: Wet 3-4 | Dry 4-5

Fastness to crocking USA: Wet 5 | Dry 5



Trevira CS+ | CS (47 colors)



Category A

Weight 420 g/m² | 12.39 oz/yd²

Composition 100% Polyester, Trevira CS

Abrasion resistance 100.000 Martindale, 90,000 Wyzenbeek

Flammability BS 5852 part II: CRIB 5 | BS 7176 Medium Hazard
USA: CAL TB 117 | M1 | B1 | EN 1021/1-2 | C1 |
IMO Res. A652 (16)

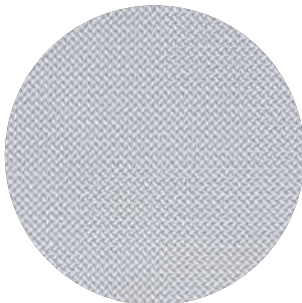
Fastness to light EU: 6 | USA 5

Fastness to rubbing EU: Wet 4-5 | Dry 4-5

Fastness to crocking USA: Wet 5 | Dry 5



Revive 1 (25 colors)



Category A

Composition 100% recycled polyester FR

Weight 430 g/lin.m

Abrasion resistance 60.000 Martindale rubs, EN ISO 12947

Flammability EN 1021-1/2 | DIN 4102 B1 | Önorm B1/Q1
UNI 9175 1IM | US Cal. Tech. Bull. 117
IMO A.652 (16)

Fastness to light Note 5-7, ISO 105-B02

Fastness to rubbing (ISO) dry 5, wet 4-5

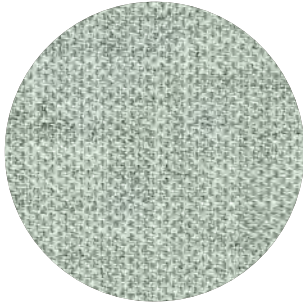
Pilling Note 4-5, EN ISO 12945



kvadrat

Clara 2 (24 colors)

kvadrat



Category B

Composition 92% new wool, 8% nylon

Weight 400 g/lin.m

Abrasion resistance 80.000 Martindale rubs, EN ISO 12947

Flammability EN 1021-1/2 | BS 5852, ignition source 2-3 | DIN 4102 B2
NF D 60 013 | UNI 9175 11M | US Cal. Tech. Bull. 117, Sec. E
NFPA 260 | IMO A.652(16)

Fastness to light Note 5-7, ISO 105-B02

Fastness to rubbing (ISO) dry 4-5, wet 4

Pilling Note 4, EN ISO 12945



Remix 3 (73 colors)

kvadrat



Category B

Composition 90% new wool, 10% nylon

Weight 415 g/lin.m

Abrasion resistance 100.000 Martindale rubs, EN ISO 12947

Flammability EN 1021-1/2 | BS 5852 part 1
Önorm B1/Q1 | NF D 60 013 | UNI 9175, 11M
AS/NZS 1530.3 | Cal. Tech. Bull. 117-2013
NFPA 260 | IMO FTP Code 2010:Part 8

Fastness to light Note 5-7, ISO 105-B02

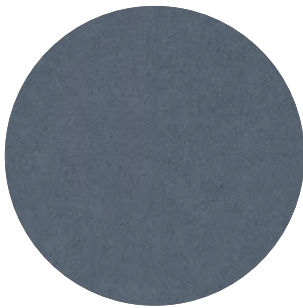
Fastness to rubbing (ISO) dry 4-5, wet 4

Pilling Note 4, EN ISO 12945



Hero 2 (33 colors)

kvadrat



Category C

Composition 97% new wool, 3% nylon

Weight 580 g/lin.m

Abrasion resistance 45.000 Martindale rubs, EN ISO 12947

Flammability EN 1021-1/2 | DIN 4102 B2 | NF D 60 013
UNI 9175 11M | US Cal. Bull. 117-2013 | NFPA 260
IMO A.652 (16)

Fastness to light Note 5-6, ISO 105-B02

Fastness to rubbing (ISO) dry 4-5, wet 4-5

Pilling Note 3-4, EN ISO 12945



Tonus 4 (47 colors)

kvadrat



Category D

Composition 90% new wool, 10% Helanca

Weight 665 g/lin.m

Abrasion resistance 100.000 Martindale rubs, EN ISO 12947

Flammability EN 1021-1/2 | BS 5852 part 1 | DIN 4102 B2
Önorm B1/Q1 | NF D 60 013 | UNI 9175 11M
US Cal. Bull. 117-2013 | NFPA 260 | IMO A.652 (16)

Fastness to light Note 5-7, ISO 105-B02

Fastness to rubbing (ISO) dry 3-5, wet 3-5

Pilling Note 3, EN ISO 12945



Memory 2 (20 colors)

kvadrat



Category E

Composition 100% Trevira CS

Weight 700 g/lin.m

Abrasion resistance

35.000 rubs acc. to the Martindale method, EN ISO 12947

Flammability EN 1021-1/2 | DIN 4102 B1 | Önorm B1/Q1
NF D 60 013 | NF P 92 507 M1 | UNI 9175 11M
UNI 9177 classe 1 | US Cal. Tech. Bull. 117
IMO A.652 (16)

Fastness to light Note 5-8, ISO 105-B02

Fastness to rubbing (ISO) dry 4-5, wet 4-5

Pilling Note 4, EN ISO 12945

