



Product Specification Sheet

BuzziFez 100-240V

— By BuzziSpace Studio

A playful lighting accessory

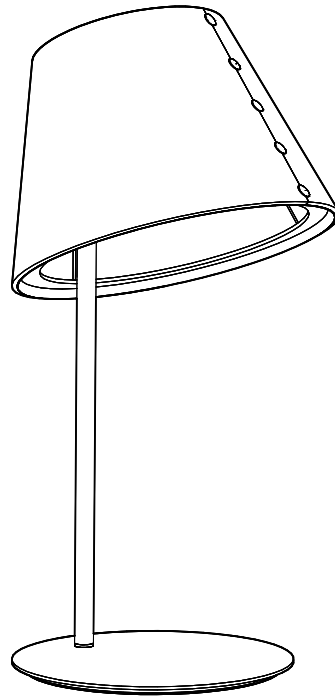
BuzziFez is our first table lamp inspired by our beloved range of acoustic lighting solutions. But don't let its size fool you. The lighting accessory houses an energy-efficient and dimmable LED module that provides tactile warm lighting and perfectly suits office, home, and hospitality environments. The playful table light features a tiltable cylindrical-shaped head made from our signature BuzziFelt material, while the inner layer of fabric is colored in Ivory to ensure optimal light reflection. Easily combine the lighting accessory with other products in our portfolio, such as our range of tables and workstations, to effortlessly spruce up various workspaces.

The Family

**Model
BuzziFez**

Lighting Unit

LED



Required order information

1. Shade Color

Lighting Data

Lighting Unit

LED

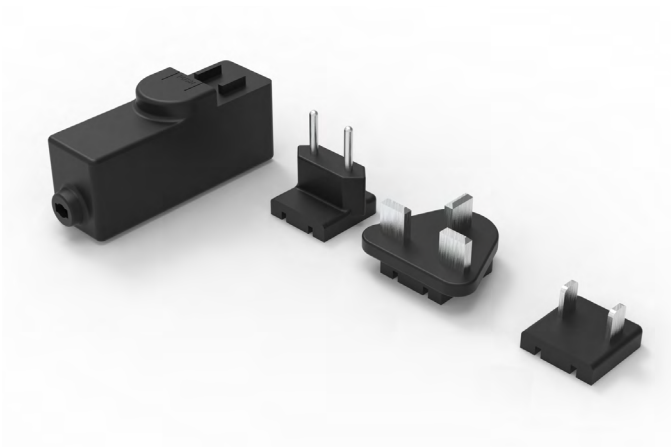


Dimming



Touchbutton for on and off. Hold longer for dimming.

Power Adapter



Power Adapter available for US/EU/UK
Included Power Cord 1,5 m | 59.06"

Lighting specifications

BuzziFez

Lighting Unit	Voltage	Wattage	Light Output Luminaire	Efficacy (Lm/W)	CRI	Dimming	Color Temperature	UGR	Standard (stock On request (>-LT))	Color Power Cable	Color Metal Frame	Fabric Collection	Fabric Color
LED	100-240V	Max. 4,5 W	330 Lm	73	90	Touchdimmer	2700K	-	Standard	Black	Black	Use color codes below	Use color codes below

CE CB cULus listed

Product Data

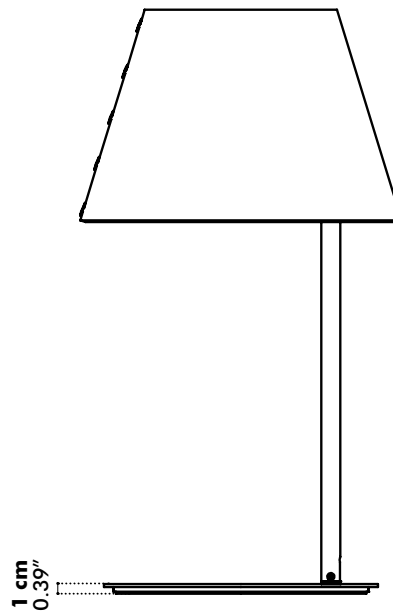
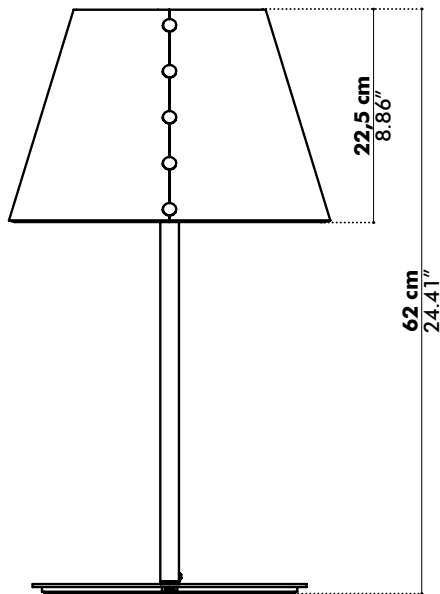
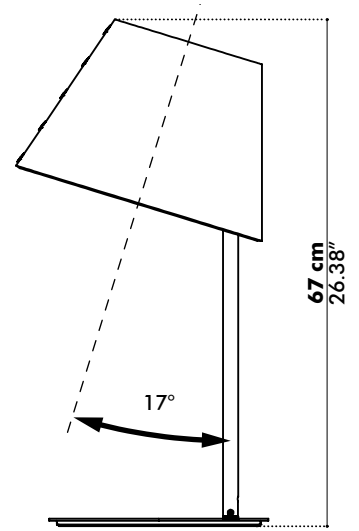
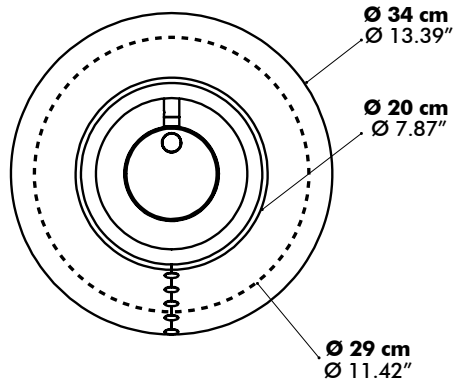
Shade



Shade outside available in Felt: StoneGrey, Anthracite or OffWhite. Shade inside always in Fabric Ivory. The shade can be tilted 17°. Finished with glossy black push buttons.

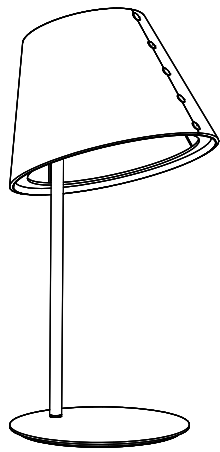
Dimensions

BuzziFez



Weights

BuzziFez



4,2 kg | 9.26 lbs

Fabrics

Felt

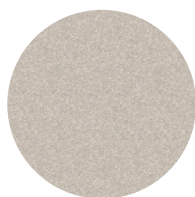
Composition 100% Recycled P.E.T. Felt, latex backing

Weight 1.000 g/m² | 29.49 oz/yd²

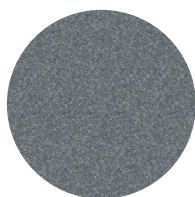
Abrasion resistance >7.000 Martindale

Flammability EU: EN 13501.1 + A1/2009 Class B-s1,d0
USA: ASTM E84 Class A certified

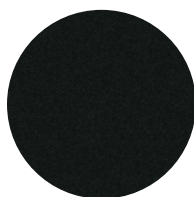
Fastness to light USA 5



Offwhite 63



StoneGrey 67



Anthracite 68

Fabric

Category A

Composition 70% Recycled Wool, 25% Recycled Polyacryl,
5% Recycled Other Fabrics

Weight 405 g/m² | 11.94 oz/yd²

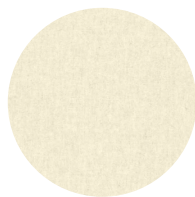
Abrasion resistance 40.000 Martindale, 50,000 Wyzenbeek

Flammability EU: EN 1021.1/2006 | BS EN 1021.1/2006 (cigarette).
EN 1021.2/2006 | BS EN 1021.2/2006 (match)
USA: CAL TB 117 | ASTM E84 CLASS A

Fastness to light EU: 4 | USA 4

Fastness to rubbing EU: Wet 3-4 | Dry 4-5

Fastness to crocking USA: Wet 5 | Dry 5



Ivory 101