

**Description:**

Suspension lamp made from aluminium, with a tempered opal polycarbonate shade and direct light (1L), indirect light (1L), or both (2L). Available in several finishes: matte grey, satin white, satin black, or oak veneer. Fluorescent or LED, two "on" settings and dimmer versions available. Other measurements, finishes, and emergency kit also available.

**Materials:**

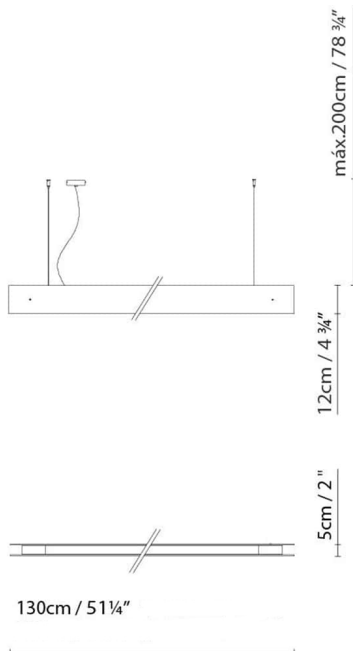
Aluminium.

**Certifications:**

IP20

230V

## MARC DOS S130 1L LED

**Light source:**

LED A+

LED 21W 3340lm 450mA 3000K CRI>80  
230V

**Weight :**

Net kg.:

Gross kg:

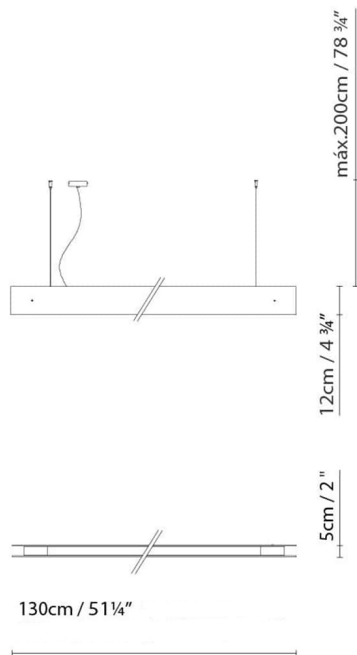
**Packaging:**

N. packages: 1

Volume m3:

Dimensions cm:

## MARC DOS S130 1L FLUO

**Light source:**

Fluo. 28/54W (G5)

**Weight :**

Net kg.:

Gross kg.:

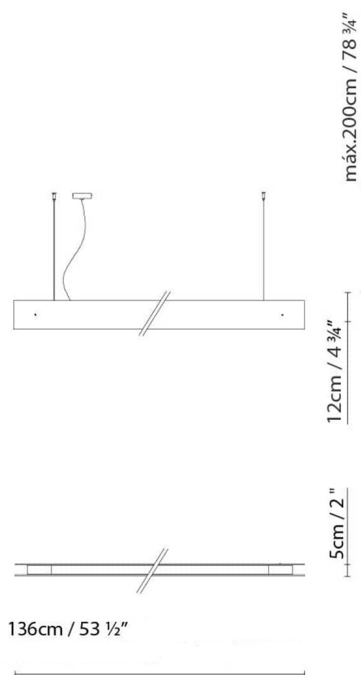
**Packaging:**

N. packages:

Volume m3:

Dimensions cm:

## MARC DOS S130 2L LED

**Light source:**LED 2 x 21W 6680lm 450mA  
3000K CRI>80 230V**Weight :**

Net kg.:

Gross kg.:

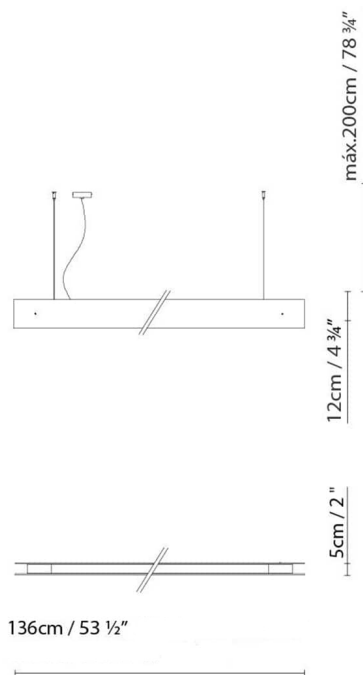
**Packaging:**

N. packages: 1

Volume m3:

Dimensions cm:

## MARC DOS S130 2L FLUO

**Light source:**

Fluo. 2 x 28/54W (G5)

**Weight :**

Net kg.:

Gross kg:

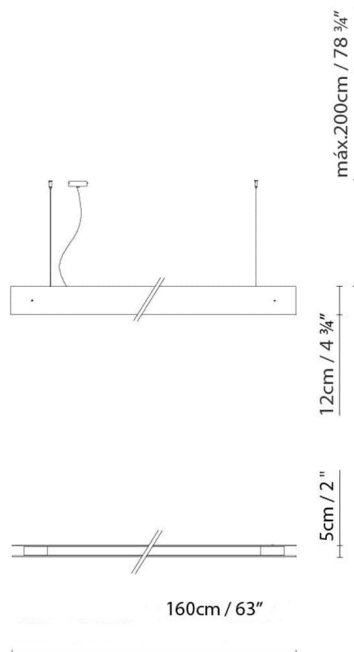
**Packaging:**

N. packages: 1

Volume m3:

Dimensions cm:

## MARC DOS S160 1L LED

**Light source:**LED 26,2W 4180lm 450mA  
3000K CRI>80 230V**Weight :**

Net kg.:

Gross kg:

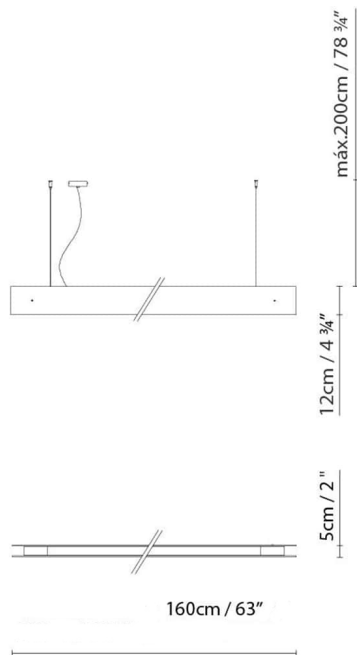
**Packaging:**

N. packages:

Volume m3:

Dimensions cm:

## MARC DOS S160 1L FLUO

**Light source:**

Fluo. 35/49W (G5)

**Weight :**

Net kg.:

Gross kg:

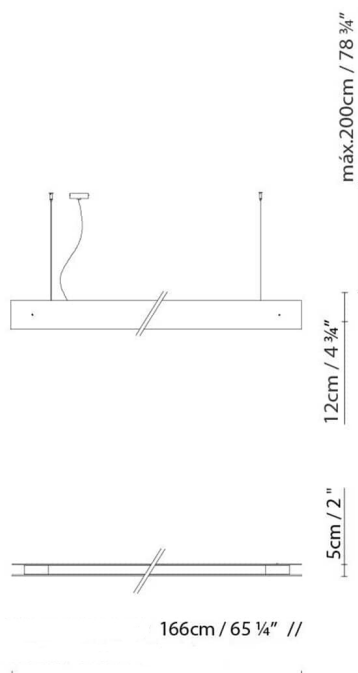
**Packaging:**

N. packages: 1

Volume m3:

Dimensions cm:

## MARC DOS S160 2L LED

**Light source:**LED 2 x 26,2W 8360lm 450mA  
3000K CRI>80 230V**Weight :**

Net kg.:

Gross kg:

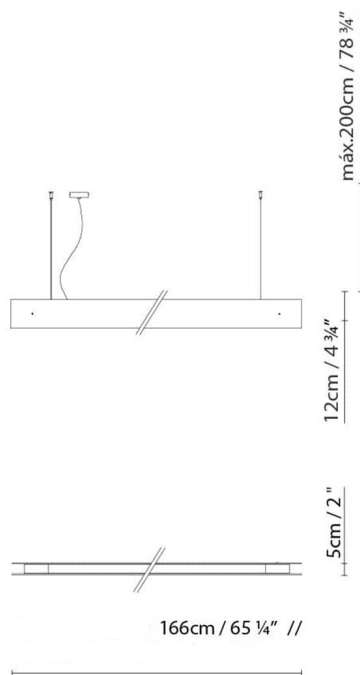
**Packaging:**

N. packages:

Volume m3:

Dimensions cm:

## MARC DOS S160 2L FLUO

**Light source:**

Fluo. 2 x 35/49W (G5)

**Weight :**

Net kg.:

Gross kg:

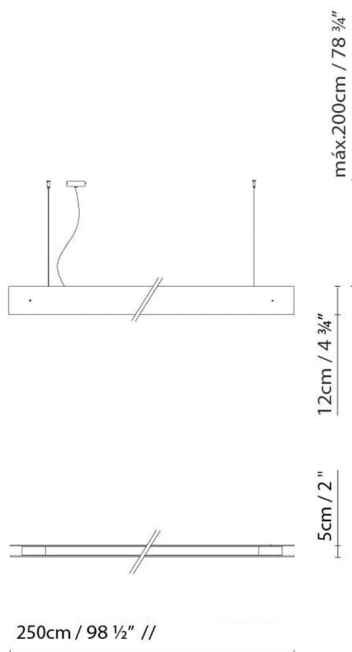
**Packaging:**

N. packages: 1

Volume m3:

Dimensions cm:

## MARC DOS S250 1L LED

**Light source:**LED 44,6W 7100lm 450mA  
3000K CRI>80 230V**Weight :**

Net kg.:

Gross kg:

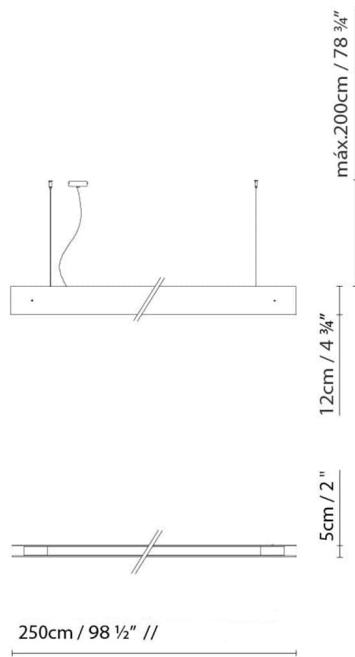
**Packaging:**

N. packages:

Volume m3:

Dimensions cm:

## MARC DOS S250 1L FLUO

**Light source:**

Fluo. 2 x 28/54W (G5)

**Weight :**

Net kg.:

Gross kg:

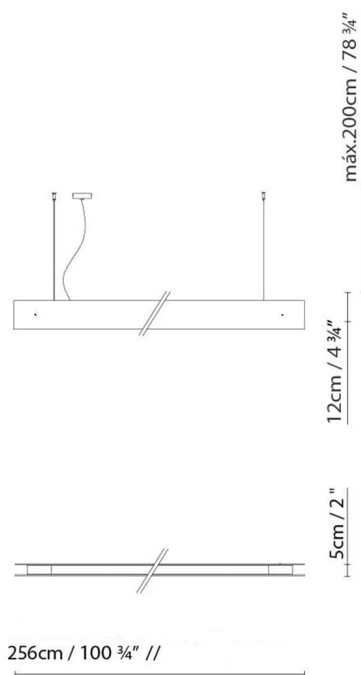
**Packaging:**

N. packages: 1

Volume m3:

Dimensions cm:

## MARC DOS S250 2L LED

**Light source:**LED 2 x 44,6W 14200lm 450mA 3000K  
CRI>80 230V**Weight :**

Net kg.:

Gross kg:

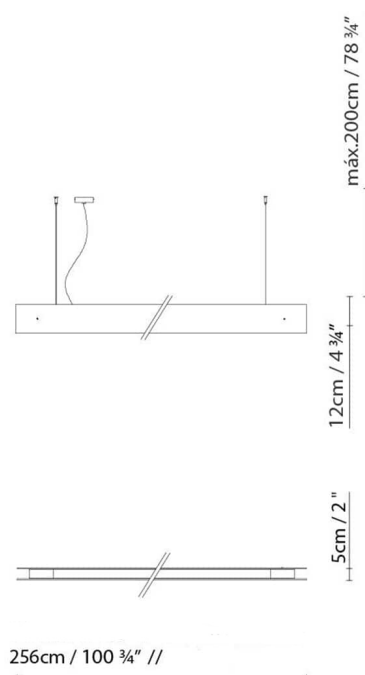
**Packaging:**

N. packages:

Volume m3:

Dimensions cm:

## MARC DOS S250 2L FLUO

**Light source:**

Fluo. 4 x 28/54W (G5)

**Weight :**

Net kg.:

Gross kg:

**Packaging:**

N. packages: 1

Volume m3:

Dimensions cm:

## Collection



Designer  
 Technical drawing  
 Instrucciones de montaje  
 Fotometría