



Description:

Lighting system that allows adapting the lighting to the spaces by using different wall or ceiling accessories. It is a tubular system to which lighted blown-glass spheres in an opal white finish, from the C_Ball decorative lamp collection, are attached. Its metal parts are available in a matte black finish.

Materials:

Glass and metal.

Finishes:

■ Black matte

Certifications:



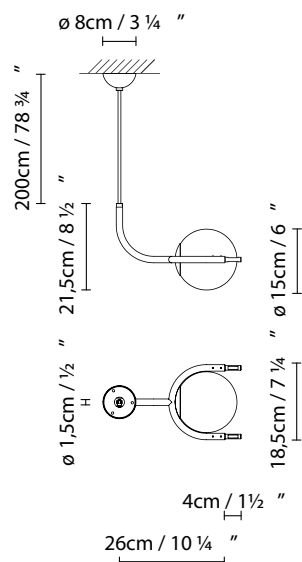
IP20

Class I

120V

CODE:

748905 C_BALL SYSTEM S CURRENT SUPPLY



Light source:

LED LED 6W (E12)

Fluo/CFL max. 12W (E12)

Weight :

Net kg.: 0,9

Gross kg: 2,2

Packaging:

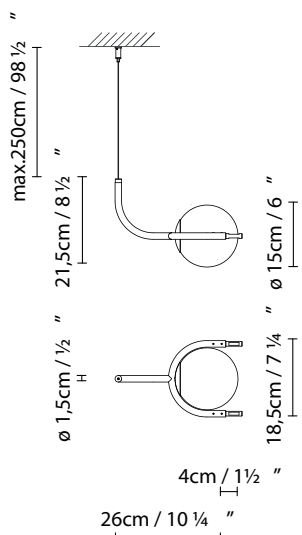
N. packages: 1

Volumen m3: 0,020

Dimensions cm: 25 x 25 x 33

CODE:

748915 C_BALL SYSTEM S SINGLE SUSPENSION



Light source:

LED LED 6W (E12)

Fluo/CFL max. 12W (E12)

Weight :

Net kg.: 0,6

Gross kg: 1,9

Packaging:

N. packages: 1

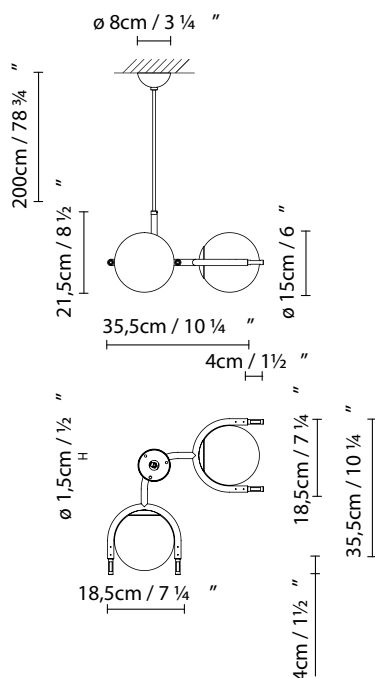
Volumen m3: 0,020

Dimensions cm: 25 x 25 x 33



CODE:

748925 C_BALL SYSTEM S 90°H CURRENT SUPPLY



Light source:

LED LED 2 x 6W (E12)

Fluo/CFL 2 x max. 12W (E12)

Weight :

Net kg.: 1,4

Gross kg: 4,0

Packaging:

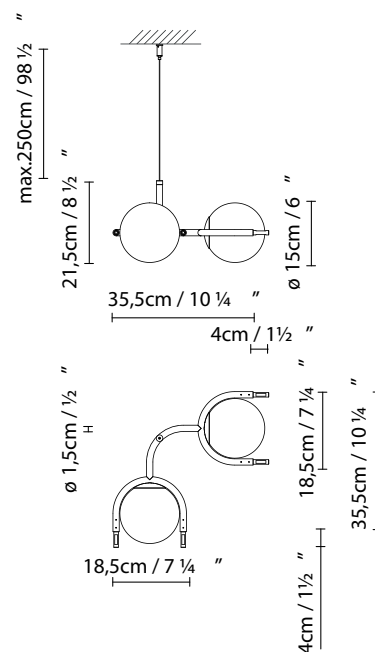
N. packages: 1

Volumen m3: 0,050

Dimensions cm: 46 x 46 x 26

CODE:

748935 C_BALL SYSTEM S 90°H SINGLE SUSPENSION



Light source:

LED LED 2 x 6W (E12)

Fluo/CFL 2 x max. 12W (E12)

Weight :

Net kg.:

Gross kg:

Packaging:

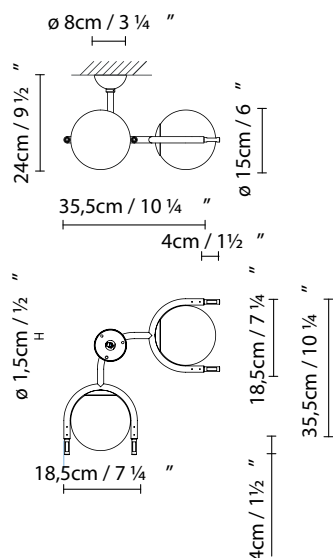
N. packages: 1

Volumen m3: 0,050

Dimensions cm: 46 x 46 x 26

CODE:

748955 C_BALL SYSTEM C/W 90°H CURRENT SUPPLY



Light source:

LED LED 2 x 6W (E12)



Fluo/CFL 2 x max. 12W (E12)

Weight :

Net kg.:

Gross kg:

Packaging:

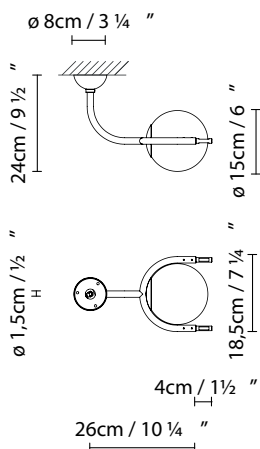
N. packages: 1

Volumen m3: 0,050

Dimensions cm: 46 x 46 x 26

CODE:

748945 C_BALL SYSTEM C/W CURRENT SUPPLY



Light source:

LED LED 6W (E12)



Fluo/CFL max. 12W (E12)

Weight :

Net kg.:

Gross kg:

Packaging:

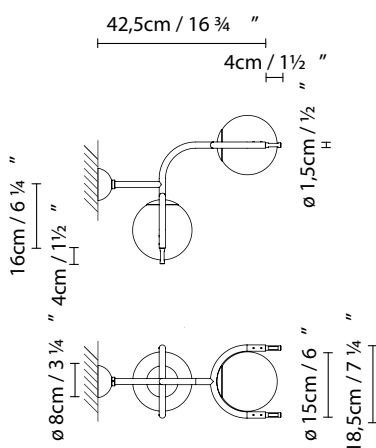
N. packages: 1

Volumen m3: 0,020

Dimensions cm: 25 x 25 x 33

CODE:

748965 C_BALL SYSTEM C/W 90°V CURRENT SUPPLY



Light source:

LED LED 2 x 6W (E12)



Fluo/CFL 2 x max. 12W (E12)

Weight :

Net kg.:

Gross kg:

Packaging:

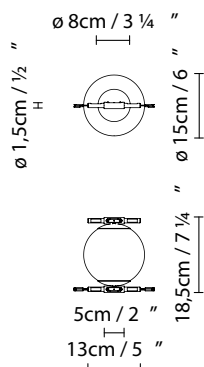
N. packages: 1

Volumen m3: 0,096

Dimensions cm: 41,5 x 57 x 41,2

CODE:

748985 C_BALL SYSTEM LIGHT MODULE



Light source:

LED LED 6W (E12)

Fluo/CFL max. 12W (E12)

Weight :

Net kg.: 0,8

Gross kg.: 1,0

Packaging:

N. packages: 1

Volumen m3: 0,008

Dimensions cm: 20 x 20 x 20

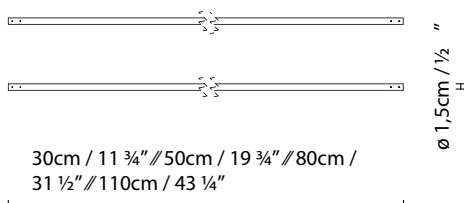
CODE:

748975 C_BALL SYSTEM LINEAR UNION 30

748976 C_BALL SYSTEM LINEAR UNION 50

748977 C_BALL SYSTEM LINEAR UNION 80

748978 C_BALL SYSTEM LINEAR UNION 110



Weight :

Net kg.: LINEAR UNION 30: 0,5

LINEAR UNION 50: 0,8

LINEAR UNION 80: 1,1

LINEAR UNION 110: 1,4

Gross kg: LINEAR UNION 30: 0,7

LINEAR UNION 50: 1,0

LINEAR UNION 80: 1,3

LINEAR UNION 110: 1,6

Packaging:

N. packages: 1

Volumen m3: LINEAR UNION 30: 0,001

LINEAR UNION 50: 0,002

LINEAR UNION 80: 0,003

LINEAR UNION 110: 0,004

Dimensions cm: LINEAR UNION 30: 6 x 6 x 35

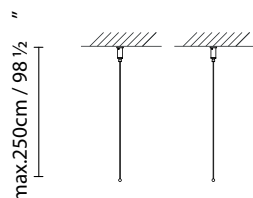
LINEAR UNION 50: 6 x 6 x 55

LINEAR UNION 80: 6 x 6 x 85

LINEAR UNION 110: 6 x 6 x 115

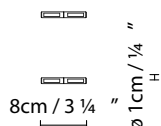
CODE:

748995 C_BALL SYSTEM SUSPENSION CABLE



CODE:

748980 LINEAR UNION JOIN



C_BALL SYSTEM INSTALLATION EXAMPLE

