

Designed in 2015

Decorative wall lamp consisting of an opal glass sphere and metal components finished in matte brass or matte black. Available in two versions: diffused light (1L), or diffused light and adjustable beam for reading (2L).

◊ W (1L): LED 6W (E12)

Fluo/CFL max. 12W (E12)

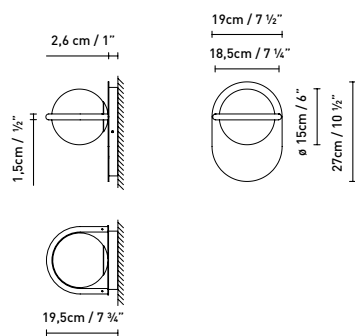
Inc. max. 40W (E12)

W (2L): LED 6W (E12) + LED 4,5W 546lm 250mA 3000K CRI80 120V

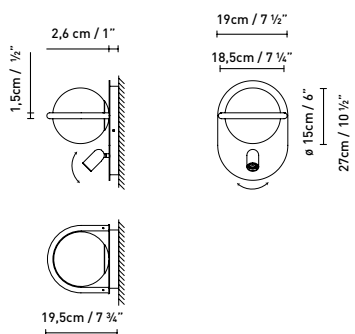
Fluo/CFL max. 12W (E12) + LED 4,5W 546lm 250mA 3000K CRI80 120V

Inc. max. 40W (E12) + LED 4,5W 546lm 250mA 3000K CRI80 120V

W (1L)



W (2L)



■ Brass (matte)

■ Black (matte)



illuminations

425 Peachtree Hills Ave. NE #3 Atlanta, GA 30305
404.876.1064 sales@illumco.com