



Description:

Direct light ceiling lamp, equipped with LED modules with four COB (chips on board). Aluminum. Available in white or black finishes, both matte. Other finishes and dimmer version on request.

Materials:

Aluminum.

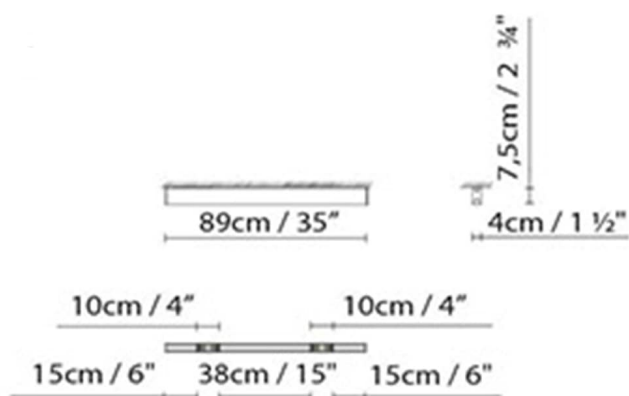
Certifications:



IP20

120V

ANVIL C90 LED MODULE



Light source:

LED LED 2 x (2 x 4,5W) 2184lm 250mA
3000K CRI80 120V

Weight :

Net kg:

Gross kg: 3.6

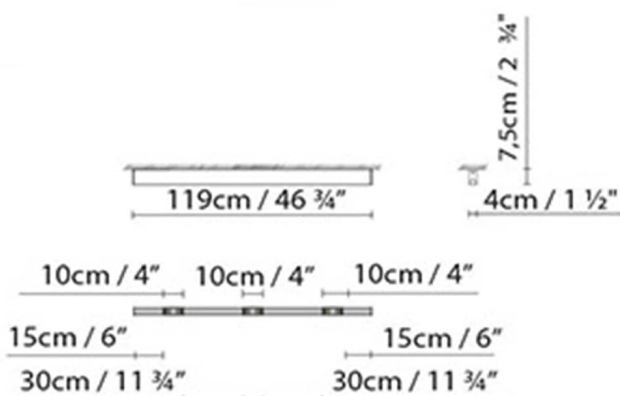
Packaging:

N. packages: 1

Volumen m3:

Dimensions cm:

ANVIL C120 LED MODULE



Light source:

LED LED 3 x (2 x 4,5W) 3276lm 250mA
3000K CRI80 120V

Weight :

Net kg:

Gross kg: 4.0

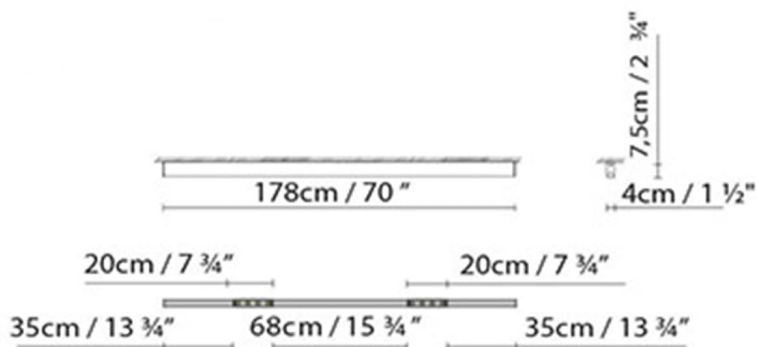
Packaging:

N. packages: 1

Volumen m3:

Dimensions cm:

ANVIL C180 LED MODULE



Light source:

LED LED 2 x (4 x 4,5W) 4368lm 250mA
3000K CRI80 120V

Weight :

Net kg:

Gross kg: 4.8

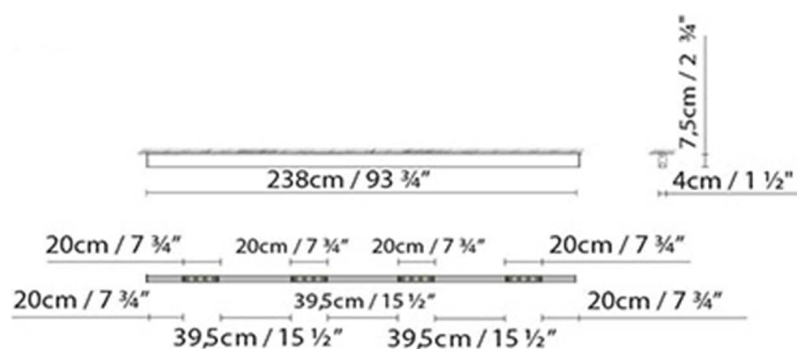
Packaging:

N. packages: 1

Volumen m3:

Dimensions cm:

ANVIL C240 LED MODULE



Light source:

LED LED 4 x (4 x 4,5W) 8736lm 250mA
3000K CRI80 120V

Weight :

Net kg:

Gross kg: 7.2

Packaging:

N. packages: 1

Volumen m3:

Dimensions cm: 16x10x260

Collection



Designer
Technical drawing