

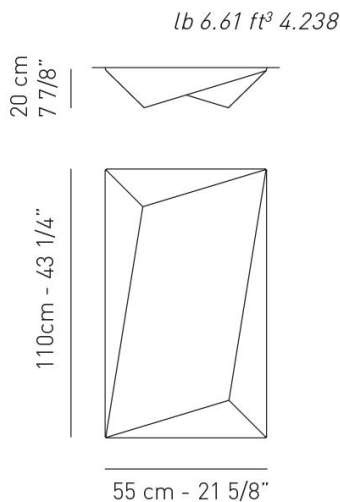
UPUKIYO110
Design by Manuel Vivian

Collection consisting of ceiling or wall lamps with metal frame and white removable, washable elastic mesh fabric covering. Available in several sizes. Screw fitting light source.

Typology: CEILING-WALL LAMP

Ratings

- E26
- Diffused
- Surface installation over holes
- Supply voltage 120 V AC
- Switch mode: on-off
- Steel frame, painted



Product code composition

UKIYO / fabric INCLUDED - application: both as ceiling or wall lamp

Type	Article	Colours	Finish	Source
UP	UKI 110	BC white	XX white metal	E26 [#] 3 x Max 17W LED or 3 x Max 26W fluo



DRY LOCATION

example composition code | **UP** | **UKI110** | **BC** | **XX** | **E26**

for additional fabric please refer to our pricelist or contact our representatives

Fireproof covering composed of two overlapping elastic fabrics
 Net composition: 80% polyamide, 20% elastane (spandex)
 Fabric composition: 67% polyamide, 33% elastane (spandex)
 Weight 405 gr/m²
 Glow wire 750°C

Available lampshade colors



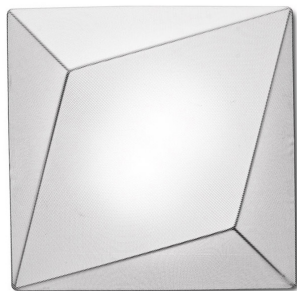
BC
White

UPUKI110BCXXE26

CUSTOMER _____ NOTES _____

Luminous flux for all built-in LED luminaires is shown at source level.
 Technical data could be subject to alteration without notice. Axo Light does not provide legal guarantee for t





UPUKIYOG

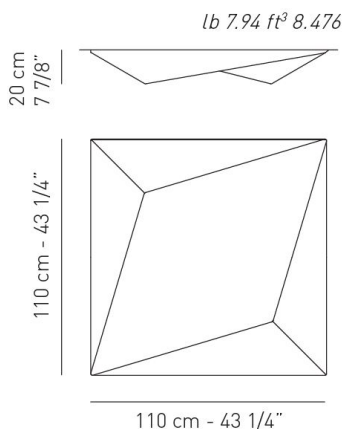
Design by Manuel Vivian

Collection consisting of ceiling or wall lamps with metal frame and white removable, washable elastic mesh fabric covering. Available in several sizes. Screw fitting light source.

Typology: CEILING-WALL LAMP

Ratings

- E26
- Diffused
- Surface installation over holes
- Supply voltage 120 V AC
- Switch mode: on-off
- Steel frame, painted



Product code composition

UKIYO / fabric INCLUDED - application: both as ceiling or wall lamp

Type	Article	Colours	Finish	Source
UP	UKIYO G	BC white	XX white metal	E26 [#] 3 x Max 17W LED or 3 x Max 26W fluo



DRY LOCATION

example composition code | **UP** | **UKIYOG** | **BC** | **XX** | **E26**

for additional fabric please refer to our pricelist or contact our representatives

Fireproof covering composed of two overlapping elastic fabrics
 Net composition: 80% polyamide, 20% elastane (spandex)
 Fabric composition: 67% polyamide, 33% elastane (spandex)
 Weight 405 gr/m²
 Glow wire 750°C

Available lampshade colors

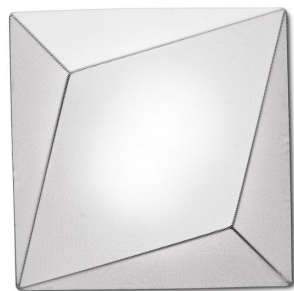


BC
White

UPUKIYOGBCXXE26 CUSTOMER _____ NOTES _____

Luminous flux for all built-in LED luminaires is shown at source level.
 Technical data could be subject to alteration without notice. Axo Light does not provide legal guarantee for t





UPUKIYOP
Design by Manuel Vivian

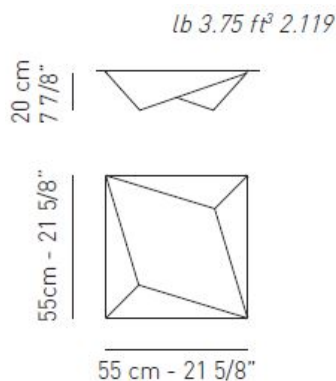
Collection consisting of ceiling or wall lamps with metal frame and white removable, washable elastic mesh fabric covering. Available in several sizes. Screw fitting light source.

Typology: CEILING-WALL LAMP

- Ratings
- E26
 - Diffused
 - Surface installation over holes
 - Supply voltage 120 V AC
 - Switch mode: on-off
 - Steel frame, painted

Product code composition

UKIYO / fabric INCLUDED - application: both as ceiling or wall lamp



Type	Article	Colours	Finish	Source
UP	UKIYO P	BC white	XX white metal	E26 [#] 3 x Max 10W LED or 3 x Max 15W fluo



DRY LOCATION

example composition code | **UP** | **UKIYOP** | **BC** | **XX** | **E26**

Fireproof covering composed of two overlapping elastic fabrics.
Net composition: 80% polyamide, 20% elastane (spandex)
Fabric composition: 67% polyamide, 33% elastane (spandex)
Weight 405 gr/m²
Glow wire 750°C

Available lampshade colors



BC
White

UPUKIYOPBCXXE26 CUSTOMER _____ NOTES _____

Luminous flux for all built-in LED luminaires is shown at source level.
Technical data could be subject to alteration without notice. Axo Light does not provide legal guarantee for t

