



USSKR050
Design by Manuel Vivian

Collection of suspended lamps in flame-retardant TREVIRA®CS fabric (100% polyester Glow wire 960 °C), available in several sizes and colors. The fabric can also come in a double-layer version with an exterior black net fabric.

Typology: SUSPENDED

Ratings

- E26 or GX24q-4 or GU24 LED bulbs included
- Downlight and uplight
- Installs over 4 in. octagonal J-box
- Power supply 120V AC
- Switch mode: on-off
- Steel frame

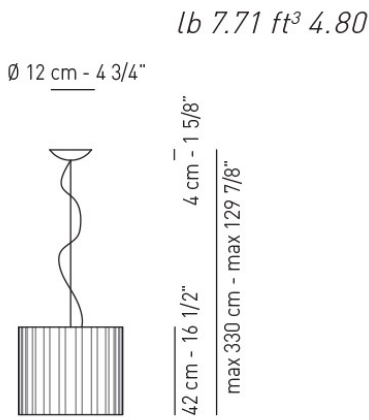
GU24 LED VERSION
•CCT 2700 K, CRI 80
•Dimmable ELV trailing edge, phase cut LED bulb

FLE VERSION •Power supply 120/277V AC

Product code composition

SKIRT / diffuser NOT INCLUDED

Type	Article	Exterior Net	Fabric Colours	Source
US	SKR 050 E26	NE black net	BC white	E26 1 x Max 17W LED or 1 x Max 26W fluo
	SKR 050 FLE	XX no black net	AR orange	FLE GX24q-4 1x42W 120/277Vac
	SKR 050 LED		AZ light blue BL blue FU fuchsia GR light grey MA brown RS red VE light green	LED GU24 1x15W - included 120Vac - CRI 80 diffused beam - 2700K 1600 lm - 107 lm/W



SINGLE FABRIC

Fireproof class I= C1, GB= CRIB 5, D=B1, F= M1, EN= 102/1-2, A 652 / Weight 340 ± 5% gr/m² / Abrasion resistance (Martindale): 40.000 ± 10% rubs / Pilling Grade 5 / Light fastness grade 6

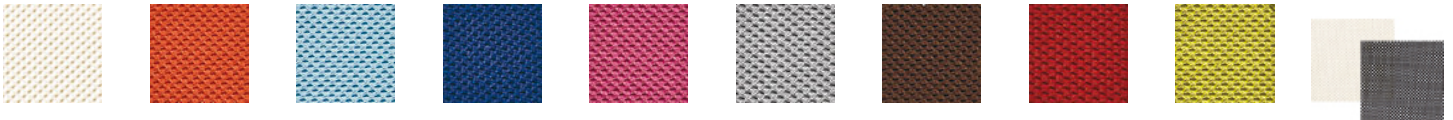
BLACK NET FINISH FABRIC

Fireproof class I= C1, F= M1, D= B1 DIN 4102 / Weight 214 ± 5% gr/m² / Abrasion resistance (Martindale): 30.000 ± 10% rubs / Pilling Grade 5 / Light fastness grade 5



example composition code | US | SKR050E26 | XX | GR |

Available colors



BC White **AR** Orange **AZ** Light blue **BL** Blue **FU** Fuchsia **GR** Light grey **MA** Brown **RS** Red **VE** Light green **NEBC** Black net over a white fabric

USSKR050 _____ CUSTOMER _____ NOTES _____



425 Peachtree Hills Ave. NE #3 Atlanta, GA 30305
404.876.1064 sales@illumco.com

Luminous flux for all built-in built-in LED luminaires is shown at source level.
Technical data could be subject to alteration without notice. Axo Light does not provide legal guarantee for the



USKR070
Design by Manuel Vivian

Collection of suspended lamps in flame-retardant TREVIRA®CS fabric (100% polyester Glow wire 960 °C), available in several sizes and colors. The fabric can also come in a double-layer version with an exterior black net fabric.

Typology: SUSPENDED

Ratings

- E26 or GX24q-4 or GU24 LED bulbs included
- Downlight and uplight
- Installs over 4 in. octagonal J-box
- Power supply 120V AC
- Switch mode: on-off
- Steel frame

GU24 LED VERSION
•CCT 2700 K, CRI 80
•Dimmable ELV trailing edge, phase cut LED bulb

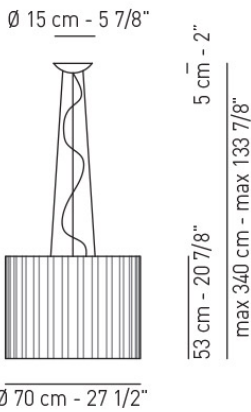
FLE VERSION •Power supply 120/277V AC

Product code composition

SKIRT / diffuser INCLUDED

Type	Article	Exterior Net	Fabric Colours	Source
US	SKR 070 E26	NE black net	BC white	E26 1 x Max 17W LED or 1 x Max 26W fluo
	SKR 070 FLE	XX no black net	AR orange	FLE GX24q-4 1x42W 120/277VAC
	SKR 070 LED		AZ light blue BL blue FU fuchsia GR light grey MA brown RS red VE light green	LED GU24 1x15W - included 120VAC - CRI 80 diffused beam - 2700K 1600 lm - 107 lm/W

lb 14.33 ft³ 15.18



SINGLE FABRIC

Fireproof class I= C1, GB= CRIB 5, D=B1, F= M1, EN= 102/1-2, A 652 / Weight 340 ± 5% gr/m² / Abrasion resistance (Martindale): 40.000 ± 10% rubs / Pilling Grade 5 / Light fastness grade 6

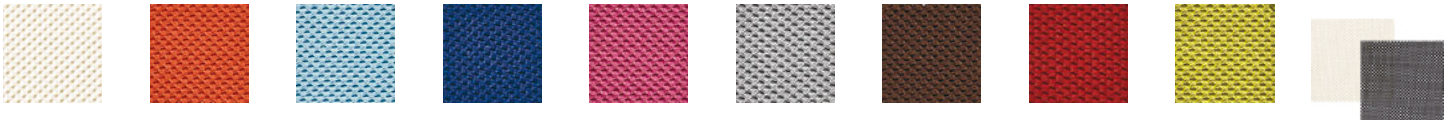
BLACK NET FINISH FABRIC

Fireproof class I= C1, F= M1, D= B1 DIN 4102 / Weight 214 ± 5% gr/m² / Abrasion resistance (Martindale): 30.000 ± 10% rubs / Pilling Grade 5 / Light fastness grade 5



example composition code | US | SKR070E26 | XX | GR |

Available colors



BC White AR Orange AZ Light blue BL Blue FU Fuchsia GR Light grey MA Brown RS Red VE Light green NEBC Black net over a white fabric

USSKR070_____

CUSTOMER_____

NOTES_____

Luminous flux for all built-in LED luminaires is shown at source level. Technical data could be subject to alteration without notice. Axo Light does not provide legal guarantee for the

425 Peachtree Hills Ave. NE #3 Atlanta, GA 30305
404.876.1064 sales@illumco.com



USSKR100

Design by Manuel Vivian

Collection of suspended lamps in flame-retardant TREVIRA®CS fabric (100% polyester Glow wire 960 °C), available in several sizes and colors. The fabric can also come in a double-layer version with an exterior black net fabric.

Typology: SUSPENDED

Ratings

- E26 or GX24q-4 or GU24 LED bulbs included or Built in **LED** module
- Downlight and uplight
- Installs over 4 in. octagonal J-box (support independently)
- Power supply 120V AC
- Switch mode: on-off
- Steel frame

L10 BUILT IN LED VERSION

- CCT 3000 K, CRI 90
- Power supply 120/277V AC
- Dimmable ELV 0-10V

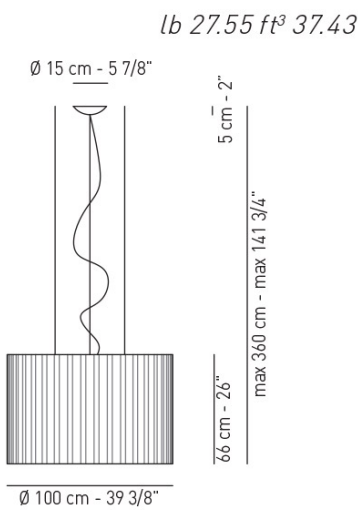
GU24 LED VERSION

- CCT 2700 K, CRI 80
- Dimmable ELV trailing edge, phase cut LED bulbs

FLE VERSION •Power supply 120/277V AC

Product code composition

SKIRT / diffuser INCLUDED, with upward and downward lighting



Type	Article	Exterior Net	Fabric Colours	Source
US	SKR 100 E26	NE black net	BC white	E26 4 x Max 17W LED or 4 x Max 26W fluo
	SKR 100 FLE		AR orange	FLE GX24q-4 3x42W + 1x42W 120/277VAC
	SKR 100 LED		AZ light blue	LED GU24 4x15W - included 120VAC - CRI 80 diffused beam - 2700K 1600 lm - 107 lm/W
	SKR 100 L10		BL blue	LED GU24 4x15W - included 120VAC - CRI 80 diffused beam - 2700K 1600 lm - 107 lm/W
			FU fuchsia	L10 95W LED - integrated 120/277VAC - CRI90 diffused beam - 3000K 10700 lm - 113 lm/W
			GR light grey	LED 95W LED - integrated 120/277VAC - CRI90 diffused beam - 3000K 10700 lm - 113 lm/W
			MA brown	
			RS red	
			VE light green	

SINGLE FABRIC

Fireproof class I= C1, GB= CRIB 5, D=B1, F= M1, EN= 102/1-2, A 652 / Weight 340 ± 5% gr/m² / Abrasion resistance (Martindale): 40.000 ± 10% rubs / Pilling Grade 5 / Light fastness grade 6

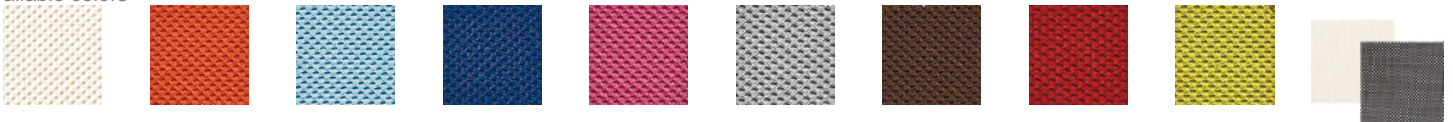
BLACK NET FINISH FABRIC

Fireproof class I= C1, F= M1, D= B1 DIN 4102 / Weight 214 ± 5% gr/m² / Abrasion resistance (Martindale): 30.000 ± 10% rubs / Pilling Grade 5 / Light fastness grade 5



example composition code | US | SKR100FLE | NE | AR |

Available colors



BC White | AR Orange | AZ Light blue | BL Blue | FU Fuchsia | GR Light grey | MA Brown | RS Red | VE Light green | NEBC Black net over a white fabric

USSKR100 _____ CUSTOMER _____ NOTES _____



425 Peachtree Hills Ave. NE #3 Atlanta, GA 30305
404.876.1064 sales@illumco.com

Luminous flux for all built-in LED luminaires is shown at source level. Technical data could be subject to alteration without notice. Axo Light does not provide legal guarantee for the

Light sources

- E26 model: E26 4 x 100W + 1 x 75W
 - E26 model: E26 4 x 26W + 1 x 26W fluo, self ballasted FLE
 - FLE model: GX24q-4 4 x 42W + GX24q-5 1 x 57W, 120/277V, Triple tube T4 CFL, Fulham ballast non-dimming, dimming available upon request
 - LED model: LED GU24 5 x 15W dimmable included, 120V, 2700K, CRI 82, 7950 lm source, 106 lm/W
 - LED model: 95W included, 120/277V, 3000°K, CRI>90, 12478 lm source, 131.3lm/W, dimmable 0-10V *
- LAMPS ARE NOT INCLUDED, EXCEPT FOR LED MODELS**

Installation

Mounts to standard electrical box

Structure

White painted metal

Diffuser

Methacrylate

Lampshade

TREVIRA® CS fabric 100% polyester NFPA 701-2010: PASS Glow wire 960 °C		
BLACK NET FABRIC	SINGLE FABRIC	
I= C1, F= M1, D= B1 DIN 4102 Fireproof class 214 ± 5% gr/m ² Weight Abrasion Resistance (martindale): 30.000 ± 10% rubs Pilling grade 5 Light fastness grade 5	I= C1, GB= CRIB 5, D= B1, F= M1 EN= 1021/1-2, IMO A 652 Fireproof class 340 ± 5% gr/m ² Weight Abrasion Resistance (martindale): 40.000 ± 10% rubs Pilling grade 5 Light fastness grade 6	

Lampshade colours

AR	AZ	BC	BL	GR
FU	MA	RS	VE	NE**

** Add black netting (NE) over regular single fabric colours (AR, AZ, BC, BL, GR, FU, MA, RS, or VE) to create a more subdued look. See product code composition below on how to add this "exterior net" to have a double of fabric.

Product code composition

	MODEL	EXTERIOR NET	FABRIC COLOURS	LIGHT SOURCES
DOUBLE LAYER	USSKR150 E26	NE	AR AZ BC BL FU GR MA RS VE	E26 4 x 100W + 1 x 75W or E26 4 x 26W + 1 x 26W fluo
	USSKR150 FLE		GX24q-4 4 x 42W + 1 x 42W	
	USSKR150 LED		GU24 LED 5 x 15W	
	USSKR150 L10		95W LED	
SINGLE LAYER	USSKR150 E26	XX	AR AZ BC BL FU GR MA RS VE	E26 4 x 100W + 1 x 75W or E26 4 x 26W + 1 x 26W fluo
	USSKR150 FLE		GX24q-4 4 x 42W + 1 x 42W	
	USSKR150 LED		GU24 LED 5 x 15W	
	USSKR150 L10		95W LED	

code structure:

FABRIC COLOUR CODE:
 AR orange BL blue MA brown
 AZ light blue GR light grey RS red
 BC neutral white FU fuchsia VE light green

EXTERIOR NET CODE:
 NE black netting
 XX no black netting

US SKR 150

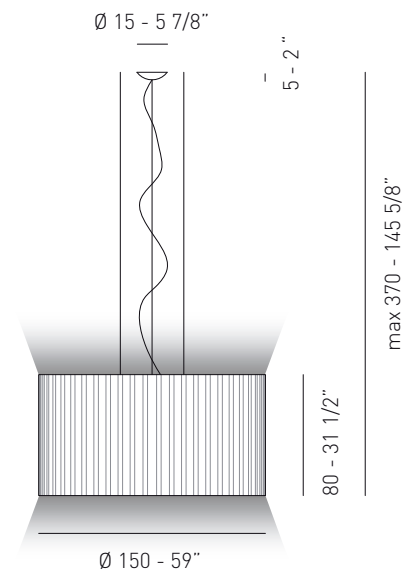
Design by Manuel Vivian

Complete collection consisting of wall, ceiling, pendant, floor, and table versions. All are available in fireproof TREVIRA® CS fabric with nine colour choices, plus the option of second layer of black netting fabric to provide a more subdued colour palette. Pendants and ceiling versions also available in single or two tiered.

Typology: PENDANT

Certifications: **TITLE 24 COMPLIANT DRY LOCATION ONLY**

Standard Shipment: 10-14 weeks
 Fast Shipment: 6-8 weeks
 Contact Customer Service for availability.



41.88 lb
 89.69 ft³



USSKR150

NAME: _____
 NOTES: _____

Visit us at 425 Peachtree Hills Ave. NE #3 Atlanta, GA 30305
 404.876.1064 sales@illumco.com