



USSKI070
Design by Manuel Vivian

Collection consisting of ceiling lamps and suspended lamps. The lampshade is covered with flame-retardant eco-leather. Available in several colors and sizes.

Typology: SUSPENDED

Ratings

- E26 or GX24q-3 or GU24 LED
- Downlight and uplight
- Installs over 4 in. octagonal J-box
- Power supply 120V AC
- Switch mode: on-off
- Steel frame

FLE VERSION

- Power supply 120/277V AC

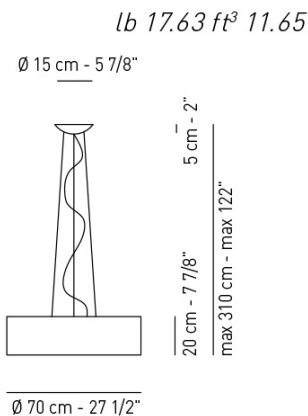
GU24 LED VERSION

- CCT 2700 K, CRI 80
- Dimmable ELV trailing edge, phase cut LED bulbs

Product code composition

SKIN / with upward and downward lighting

Type	Article	Colours (lampshade)	Colours (radial diffuser)	Source
US	SKI 070 E26	BC white	BC white	E26 4 x Max 20W fluo
	SKI 070 FLE	AG silver	BW warm white	FLE GX24q-3 4x26W - 120/277VAC
	SKI 070 LED	AR orange AZ light blue BA ivory white MA brown NE matt black OR gold RS fire red VE green		LED GU24 4x15W - included 120VAC - CRI80 diffused beam - 2700K 6400 lm - 107 lm/W



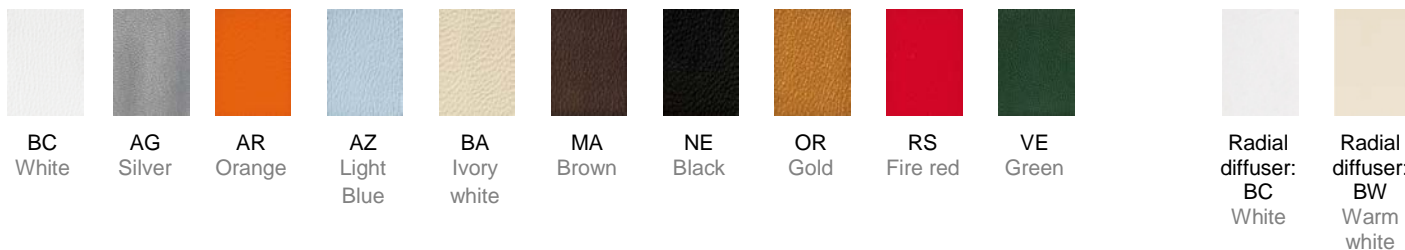
Lampshade

Eco-leather: 87% PVC + 13% polyester / Flame retardant (UNI 9175 - UNI 9175/FA1) class 1|M / Weight 550 ± 5% gr/m² / Abrasion resistance (Martindale) 25.600 ± 10% rubs / Glow wire 960 °C.



example composition code | US | SKI070FLE | AR | BW |

Available colors



CUSTOMER _____ NOTES _____

USSKI070 _ _ _ _ _



Luminous flux for all built-in LED luminaires is shown at source level. Technical data could be subject to alteration without notice. Axo Light does not provide legal guarantee for the



USSKI100
Design by Manuel Vivian

Collection consisting of ceiling lamps and suspended lamps. The lampshade is covered with flame-retardant eco-leather. Available in several colors and sizes.

Typology: SUSPENDED

Ratings

- E26 or GX24q-3 or GU24 LED or built in LED
- Downlight and uplight
- Installs over 4 in. octagonal J-box (support independently)
- Power supply 120V AC
- Switch mode: on-off
- Steel frame

L10 BUILT IN LED VERSION

- CCT 3000 K, CRI 90
- Power supply 120/277V AC
- Dimmable ELV 0-10V LED driver

FLE VERSION

- Power supply 120/277V AC

GU24 LED VERSION

- CCT 2700 K, CRI 80
- Dimmable ELV trailing edge, phase cut LED bulbs

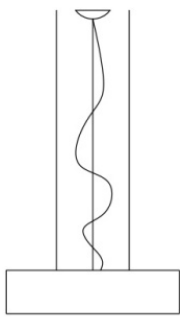
Product code composition

SKIN / with upward and downward lighting

Type	Article	Colours (lampshade)	Colours (radial diffuser)	Source
US	SKI 100 E26	BC white	BC white	E26 6 x Max 20W fluo
	SKI 100 FLE	AG silver	BW warm white	FLE GX24q-3 6x42W - 120/277VAc
	SKI 100 LED	AR orange		LED GU24 6x15W - included 120VAc - CRI80 diffused beam - 2700K 9600 lm - 107 lm/W - dimmable ELV TRAILING EDGE PHASE CUT LED
		AZ light blue		
	SKI 100 L10	BA ivory white		L10 95W LED - integrated 120/277VAc - CRI90 diffused beam - 3000K 10700 lm - 113 lm/W - dimmable ELV 0-10V LED
		MA brown		
		NE matt black		
		OR gold		
		RS fire red		
		VE green		

lb 33 ft³ 38.13

Ø 15 cm - 5 7/8"



5 cm - 2"

25 cm - 9 7/8"

max 315 cm - max 124"

Ø 100 cm - 39 3/8"

Lampshade

Eco-leather: 87% PVC + 13% polyester / Flame retardant (UNI 9175 - UNI 9175/FA1) class 1|M / Weight 550 ± 5% gr/m² / Abrasion resistance (Martindale) 25.600 ± 10% rubs / Glow wire 960 °C.



DRY LOCATION

example composition code | US | SKI100L10 | MA | BC |

Available colors



CUSTOMER _____ NOTES _____

USSKI100 _____



425 Peachtree Hills Ave. NE #3 Atlanta, GA 30305
404.876.1064 sales@illumco.com

Luminous flux for all built-in LED luminaires is shown at source level.
Technical data could be subject to alteration without notice. Axo Light does not provide legal guarantee for the



USSKI160
Design by Manuel Vivian

Collection consisting of ceiling lamps and suspended lamps. The lampshade is covered with flame-retardant eco-leather. Available in several colors and sizes.

Typology: SUSPENDED

Ratings

- E26 or GX24q-4 or GU24 LED or built in LED
- Downlight and uplight
- Installs over 4 in. octagonal J-box (support independently)
- Power supply 120V AC
- Switch mode: on-off
- Steel frame

L10 BUILT IN LED VERSION

- CCT 3000 K, CRI 90
- Power supply 120/277V AC
- Dimmable ELV 0-10V LED driver

GU24 LED VERSION

- CCT 2700 K, CRI 80
- Dimmable ELV trailing edge, phase cut LED bulbs

Product code composition

SKIN / with upward and downward lighting

Type	Article	Colours (lampshade)	Colours (radial diffuser)	Source
US	SKI 160 E26	BC white	BC white	E26 6 x Max 20W fluo
	SKI 160 FLE	AG silver	BW warm white	FLE GX24q-4 6x42W - 120/277VAc
	SKI 160 LED	AR orange		LED GU24 6x15W - included 120VAc - CRI80 diffused beam - 2700K 9600 lm - 107 lm/W - dimmable ELV TRAILING EDGE PHASE CUT LED
		AZ light blue		
	SKI 160 L10	BA ivory white		L10 95W LED - integrated 120/277VAc - CRI90 diffused beam - 3000K 10700 lm - 113 lm/W - dimmable ELV 0-10V LED
		MA brown		
		NE matt black		
		OR gold		
		RS fire red		
		VE green		

lb 50.7 ft³ 81.93

∅ 15 cm - 5 7/8"

5 cm - 2"

30 cm - 11 3/4"

max 320 cm - max 126"

∅ 160 cm - 63"

Lampshade

Eco-leather: 87% PVC + 13% polyester / Flame retardant (UNI 9175 - UNI 9175/FA1) class 1|M / Weight 550 ± 5% gr/m² / Abrasion resistance (Martindale) 25.600 ± 10% rubs / Glow wire 960 °C.



DRY LOCATION

example composition code |UP |SKI160FLE |MA |BC |

Available colors



CUSTOMER _____ NOTES _____

USSKI160 _____

Luminous flux for all built-in LED luminaires is shown at source level.

Technical data could be subject to alteration without notice. Axo Light does not provide legal guarantee for the



425 Peachtree Hills Ave. NE #3 Atlanta, GA 30305
404.876.1064 sales@illumco.com