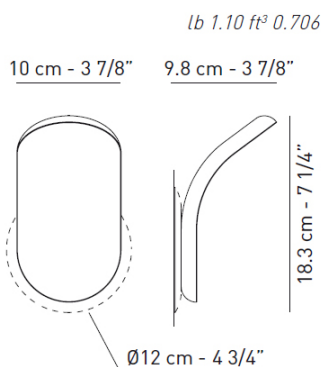




UALIK
 Design by Serge & Robert Cornelissen
 Aluminum wall lamp available in several colors.
 Typology: WALL

- Ratings**
- Built in line voltage **LED** module
 - CCT 3000 K
 - Uplight
 - Installs over 4 in. octagonal J-box
 - Power supply 120V AC
 - Switch mode: on-off dimmable
ELV trailing edge phase cut
 - Die cast aluminium body, painted

Product code composition



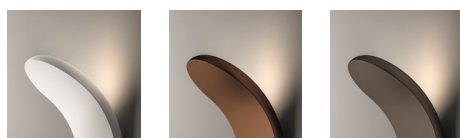
lb 1.10 ft³ 0.706

LIK / backplate included

Type	Article	Colours	Code End	Source
UA	LIKXXX	BC wrinkled white	XX	LED 16.6W - diffused beam 2700K
		BR matt bronze		
		NI matt nickel		

dimmable ELV TRAILING EDGE PHASE CUT DRY LOCATION CRI90 **ADA** 120Vac **LED** 1480lm 89.16lm/W
 example composition code |UA |LIKXXX |BR |XX |LED

Available colors



BC
 Wrinkled white
BR
 Matt bronze
NI
 Matt nickel

CUSTOMER _____ NOTES _____

UALIKXXX_XXLED

Luminous flux for all LED luminaires is shown at source level.
 Technical data could be subject to alteration without notice. Axo Light does not provide legal guarantee for the

425 Peachtree Hills Ave. NE #3 Atlanta, GA 30305
 404.876.1064 sales@illumco.com