

<b>Light sources</b>	E26 model: E26 15 x 26W fluo, self ballasted FLE *
	LED model: LED GU24 15 x 15W dimmable included, 120V, 2700K, CRI 82, 23850 lm source, 106 lm/W
<b>LAMPS ARE NOT INCLUDED, EXCEPT FOR LED MODEL</b>	
<b>Installation</b>	Mounts to standard electrical box
<b>Electric cord</b>	Insulated, white, round
<b>Structure</b>	White painted metal
<b>Diffuser</b>	Jersey - Glow wire 750 °C
<b>Lampshade</b>	Extra smooth fire proof pongé fabric Composition 100% polyester NFPA 701-2010: Pass   Glow-wire test: 960°C Weight: 55 ± 5 gr/m <sup>2</sup>
<b>Lampshade colours</b>	

## US LAY B

Design by Vanessa Vivian

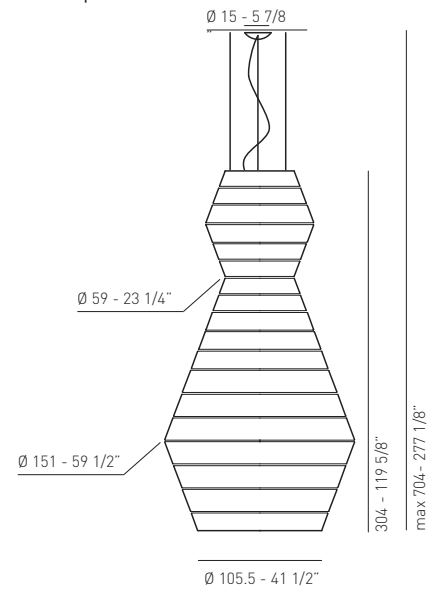
Collection of pendants and ceiling lights with metal frame covered with stripes of super-smooth fire-proof pongé fabric available in ten colours. The 9 modular shades make it possible to achieve a broad range of shapes and sizes, the largest reaching almost 5 ft in diameter and 10 ft in height.

Typology: PENDANT

Certifications: **TITLE 24 COMPLIANT DRY LOCATION ONLY**

Standard Shipment: 10-14 weeks

Fast Shipment: 6-8 weeks



### Product code composition

MODEL	LAMP SHADE COLOURS	RADIAL DIFFUSER COLOURS	LIGHT SOURCES
USLAYBXX E26	AR BC BW GI GR GS	XX	15 x Max 26W fluo
USLAYBXX LED	MT RB RS VE M1 M2		GU24 LED 15 x 15W

code structure: MODEL LIGHT EXTERIOR INTERIOR

**LAMP SHADE COLOUR CODE:**

AR (arancio) orange, orange, anaranjado	MT (mattone) brick red, brique, rojo oscuro
BC (bianco) white, blanc, blanco	RB (rosso bordeaux) maroon, bordeaux, rojo burdeos
BW (bianco caldo) warm white, blanc chaud, blanco cálido	RS (rosso) red, rouge, rojo
GI (giallo oro) gold yellow, jaune or, amarillo oro	VE (verde chiaro) light green, vert clair, verde claro
GR (grigio chiaro) light grey, gris clair, gris claro	M1 multicolor 1: RB+RS+AR+GI
GS (grigio scuro) dark grey, gris foncé, gris oscuro	M2 multicolor 2: GS+GR+BC

\* Most fixtures equipped with E26 sockets that accommodate medium base lamps may also be available in a GU24 twist and lock compact fluorescent socket or may be relabeled to a lower maximum wattage to accommodate energy efficiency and TITLE 24 requirements.

Please Note: Technical data could be subject to alteration without notice. Axo Light does not provide legal guarantee for the accuracy of this technical data sheet. Confirm with Axo Light before order, reference: 1-2015 technical sheet.



USLAYBXX \_\_ \_\_ XX

NAME: \_\_\_\_\_

NOTES: \_\_\_\_\_

\_\_\_\_\_

**illuminations**  
425 Peachtree Hills Ave. NE #3 Atlanta, GA 30305  
404.876.1064 sales@illumco.com