

Light sources	E26 model: E26 9 x 26W fluo, self ballasted FLE * LED model: LED GU24 9 x 15W dimmable included, 120V, 2700K, CRI 82, 14310 lm source, 106 lm/W <p style="text-align: center;">LAMPS ARE NOT INCLUDED, EXCEPT FOR LED MODEL</p>
Installation	Mounts to standard electrical box
Electric cord	Insulated, white, round
Structure	White painted metal
Diffuser	Jersey - Glow wire 750 °C
Lampshade	Extra smooth fire proof pongé fabric Composition 100% polyester NFPA 701-2010: Pass Glow-wire test: 960°C Weight: 55 ± 5 gr/m ²
Lampshade colours	

US LAY A

Design by Vanessa Vivian

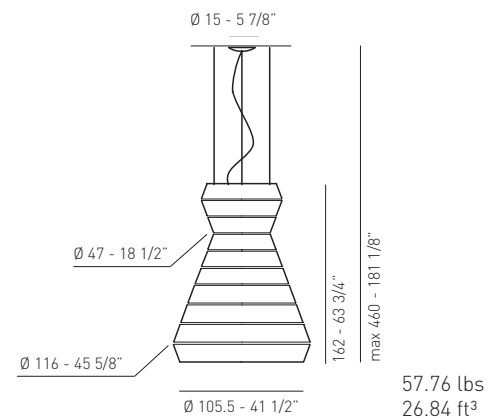
Collection of pendants and ceiling lights with metal frame covered with stripes of super-smooth fire-proof pongé fabric available in ten colours. The 9 modular shades make it possible to achieve a broad range of shapes and sizes, the largest reaching almost 5 ft in diameter and 10 ft in height.

Typology: PENDANT

Certifications: **TITLE 24 COMPLIANT DRY LOCATION ONLY**

Standard Shipment: 10-14 weeks

Fast Shipment: 6-8 weeks



Product code composition

MODEL	LAMPSHADE COLOURS	RADIAL DIFFUSER COLOURS	LIGHT SOURCES
USLAYAXX E26	AR	XX	9 x Max 26W fluo
	BC		
	BW		
	GI		
	GR		
	GS		
USLAYAXX LED	MT		GU24 LED 9 x 15W
	RB		
	RS		
	VE		
	M1		
	M2		

code structure: MODEL LIGHT EXTERIOR INTERIOR

LAMPSHADE COLOUR CODE:

AR (arancio) orange, orange, anaranjado	MT (mattone) brick red, brique, rojo oscuro
BC (bianco) white, blanc, blanco	RB (rosso bordeaux) maroon, bordeaux, rojo burdeos
BW (bianco caldo) warm white, blanc chaud, blanco cálido	RS (rosso) red, rouge, rojo
GI (giallo oro) gold yellow, jaune or, amarillo oro	VE (verde chiaro) light green, vert clair, verde claro
GR (grigio chiaro) light grey, gris clair, gris claro	M1 multicolor 1: RB+RS+AR+GI
GS (grigio scuro) dark grey, gris foncé, gris oscuro	M2 multicolor 2: GS+GR+BC



USLAYAXX ___ XX

NAME: _____

NOTES: _____

425 Peachtree Hills Ave. NE #3 Atlanta, GA 30305

404.876.1064

sales@illumco.com

*Most fixtures equipped with E26 sockets that accommodate medium base lamps may also be available in a GU24 twist and lock compact fluorescent socket or may be relabeled to a lower maximum wattage to accommodate energy efficiency and TITLE 24 requirements.

Please Note: Technical data could be subject to alteration without notice. Axo Light does not provide legal guarantee for the accuracy of this technical data sheet. Confirm with Axo Light before order, reference: 1-2015 technical sheet.