

# a

by arturo alvarez

tempo collection

LED



USA & Canada

ref. TEVI04-LD



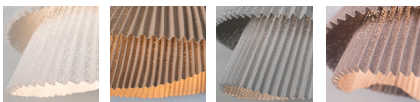
TEAN04

TEVI04

## MATERIALS & COMPONENTS

### LAMPSHADE

Painted stainless steel | One color to choose



BL

BE

G

T

CUSTOM  
COLOR

Steel gloss nickel-plated and stainless steel

### CANOPY AND CABLE

Steel gloss nickel-plated and stainless steel

Transparent or black cable

Standard: 78,7in

Length customizable

### LIGHT SOURCE BUILT IN

**100~277V - 60Hz**

18,1W 3000K 1776lm built-in  
upon request 2700K 1645lm

Dimming system: 0-10V  
upon request PHASE CONTROL (only 120V)

## OTHER DATA

### NET WEIGHT

4,6lb

### PACKAGING

17,3x 17,3x 15,7in

6,6lb

### ELECTRICAL FEATURES



### CERTIFICATIONS

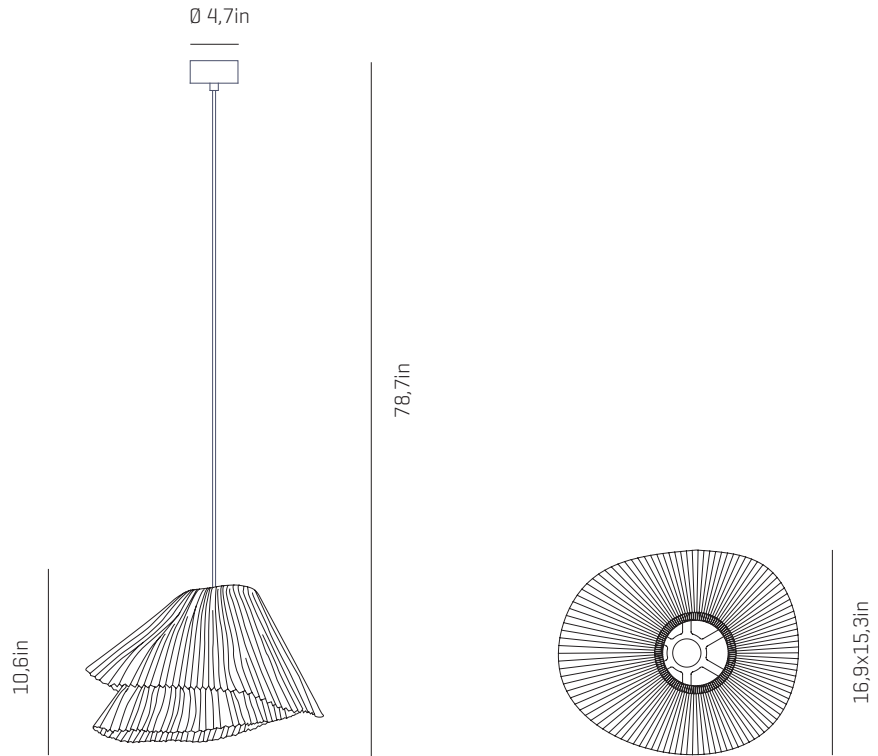


  
425 Peachtree Hills Ave. NE #3 Atlanta, GA 30305  
404.876.1064 sales@illumco.com

# a

by arturo alvarez

tempo collection



USA & Canada

ref. TEVI04



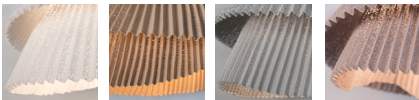
TEAN04

TEVI04

## MATERIALS & COMPONENTS

### LAMPSHADE

Painted stainless steel | One color to choose



BL

BE

G

T

CUSTOM  
COLOR

Steel gloss nickel-plated and stainless steel

### CANOPY AND CABLE

Steel gloss nickel-plated and stainless steel

Transparent or black cable

Standard: 78,7in

Length customizable

### RECOMMENDED BULBS

**120V - 60Hz**

 E26 LED- Max. 1x12 W

## OTHER DATA

### NET WEIGHT

3,5lb

### PACKAGING

17,3x 17,3x 15,7in

4,8lb

### ELECTRICAL FEATURES



### CERTIFICATIONS





425 Peachtree Hills Ave. NE #3 Atlanta, GA 30305  
404.876.1064 sales@illumco.com