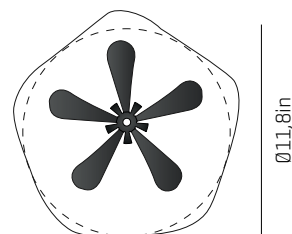
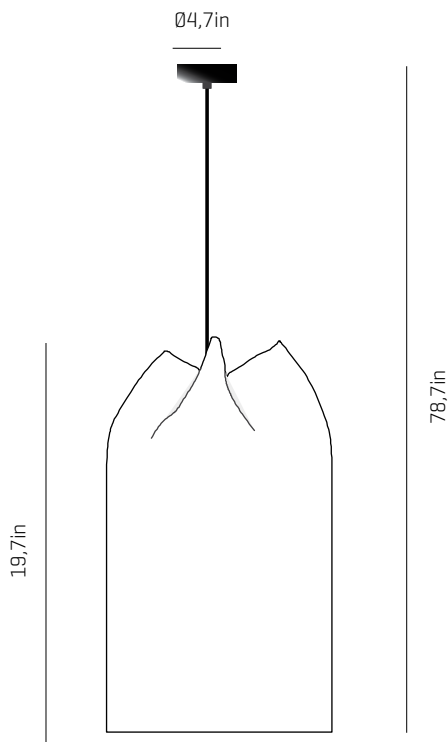
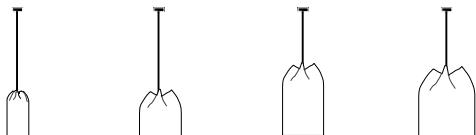


emotional light



USA & Canada

ref. AG304



AG104

AG204

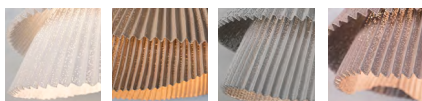
AG304

AG404

**MATERIALS & COMPONENTS**

LAMPSHADE

Painted stainless steel | One color to choose



BL

BE

G

T

CUSTOM  
COLOR

Stainless steel painted in matt black

CANOPY AND CABLE

Steel painted in matt black

Black cable

Standard: 78,7in

Length customizable

RECOMMENDED BULBS

**120V - 60Hz**

E26 LED- Max. 1x12 W

**OTHER DATA**

NET WEIGHT

2.9lb

PACKAGING

20x 20x 20,9in

7.5lb

ELECTRICAL FEATURES



CERTIFICATIONS

