

Code:	Project:	Type:
	Notes:	

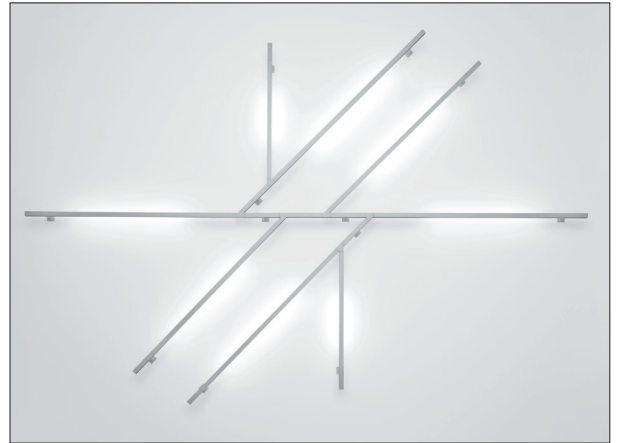
KAO KIT G LED WALL/CEILING

Design Bruno Houssin

#CAT	model	config.	finish	certification	out put	voltage	CCT	driver
USC-M	113	2	___	8	H	00	___	___

Quantity

model	113 = KAO Wall/Ceiling
configuration	2 = G
finish	1 = Black 2 = White
certification	8 = UL
output	H = High output (2 x 20W + 6 x 40W LED)
voltage	00 = UNV (120-277V)
CCT	LA = 3000K LB = 3500K
driver	TV = Dim 0-10V (on/off included)



LAMPING:

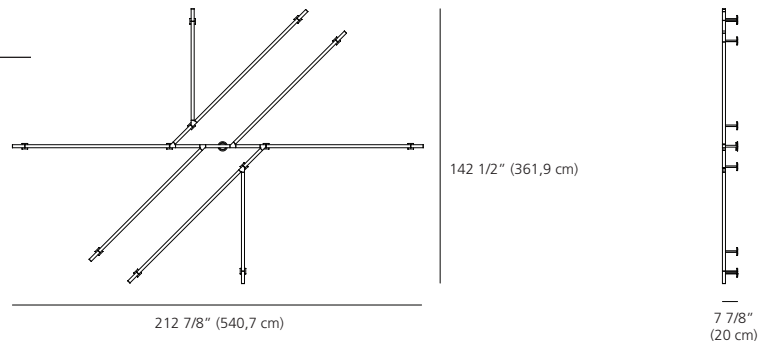
Power input : 2 x 20W + 6 x 40W LED (280W total)

Lumen output : To be calculated

Efficacy : To be calculated

LM79 : To be calculated

*Informations calculated for 3500K



FEATURES:

Construction: Extruded aluminum body. 1 9/16" x 1 9/16" (40 x 40 mm) square section modules.

Diffuser: Dust protection cover in polycarbonate.

Notes: Electrical connections via quick connectors. Each structure is composed of pre-assembled and pre-wired sub units, supplied with a drilling template for placing the ceiling fixing points.

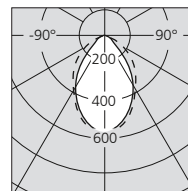
Weight: Not available yet

Certification: - suitable for dry locations

Classification: **IP20**

PHOTOMETRIC DATA:

Photometric curve (cd):
LED 1 x 20W



Photometric curve (cd):
LED 1 x 40W

