

ALPHABET OF LIGHT SYSTEM

BIG - Bjarke Ingels Group

PATENT PENDING MI102016000025996

PATENT PENDING 102017000037606

Artemide[®]

LIGHT FOLLOWS SPACES



KPMB ARCHITECTS OFFICE, TORONTO, CANADA

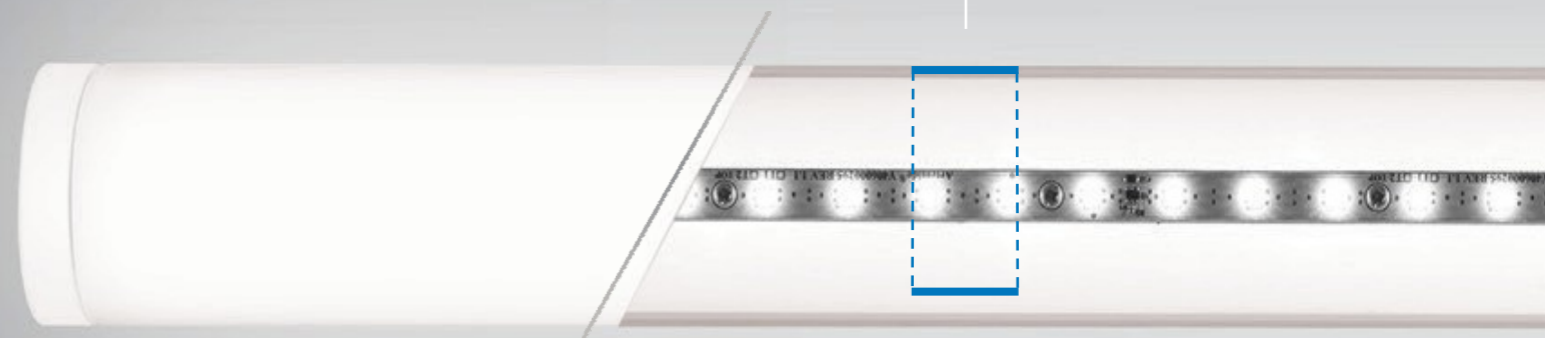
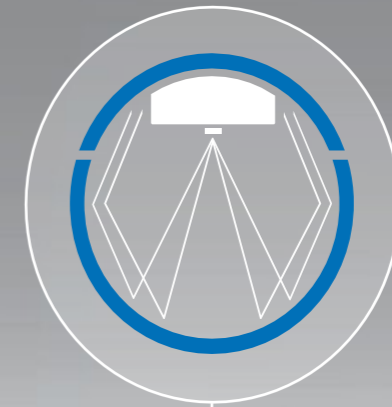
Project: KPMB Architects Office Photo: Maris Mezulis Photography

Artemide

DESIGN PRODUCES A HIGH-EFFICIENCY LIGHT WITHOUT SHADOWS

Mixing chamber

Patent pending
MI102016000025996



MATERIALS

Extruded aluminum structure
Injection molded plastic material diffuser

DIMENSIONS

Tube \varnothing 5cm
Linear modules 60cm / 120cm / 180cm
Max suspension length 150cm
360° degree light emission

DRIVER HOUSING DIMENSIONS

L: 12" (30.6 cm) x 5^{5/16}" (13.5 cm) x H: 1^{11/16}" (4.25 cm)

VOLTAGE

Constant voltage 120V-277V

TOTAL POWER

from 8W (curve module)
up to 33W (180 cm linear module)

DELIVERED LUMINOUS FLUX

from 612lm (90° DOWN curve module)
up to 2977lm (180 cm linear module)

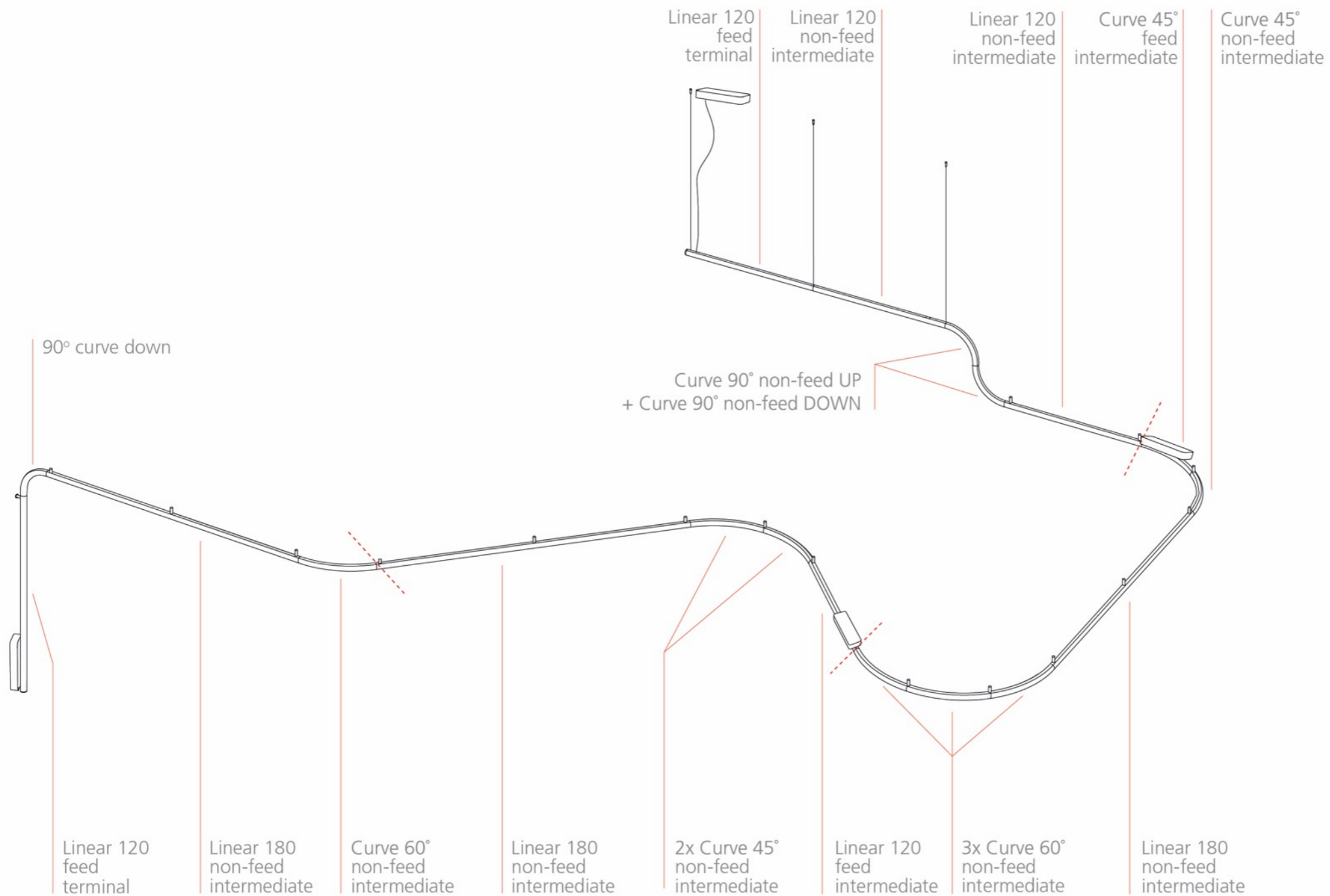
LED



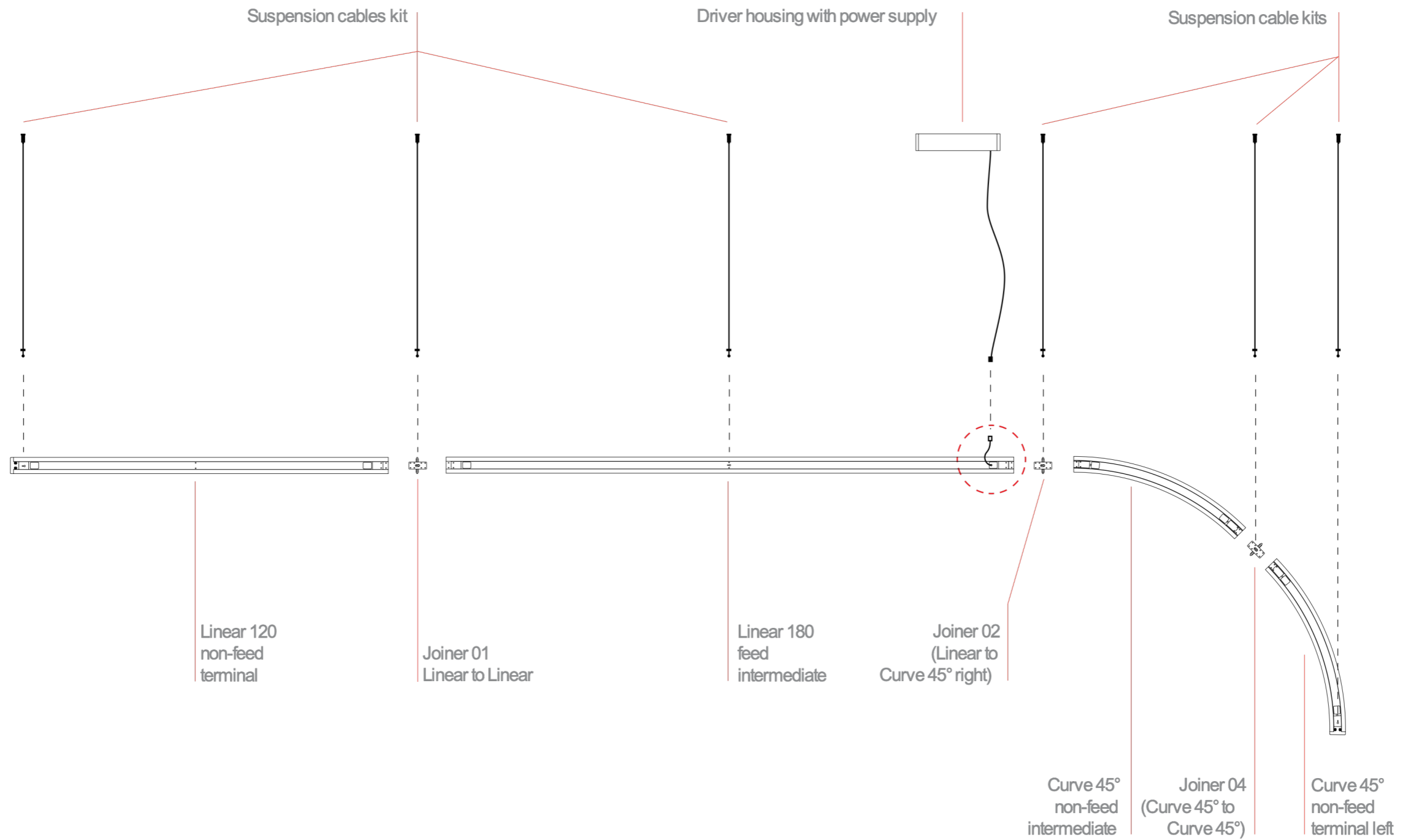
80CRI

DIMMABLE 0-10V

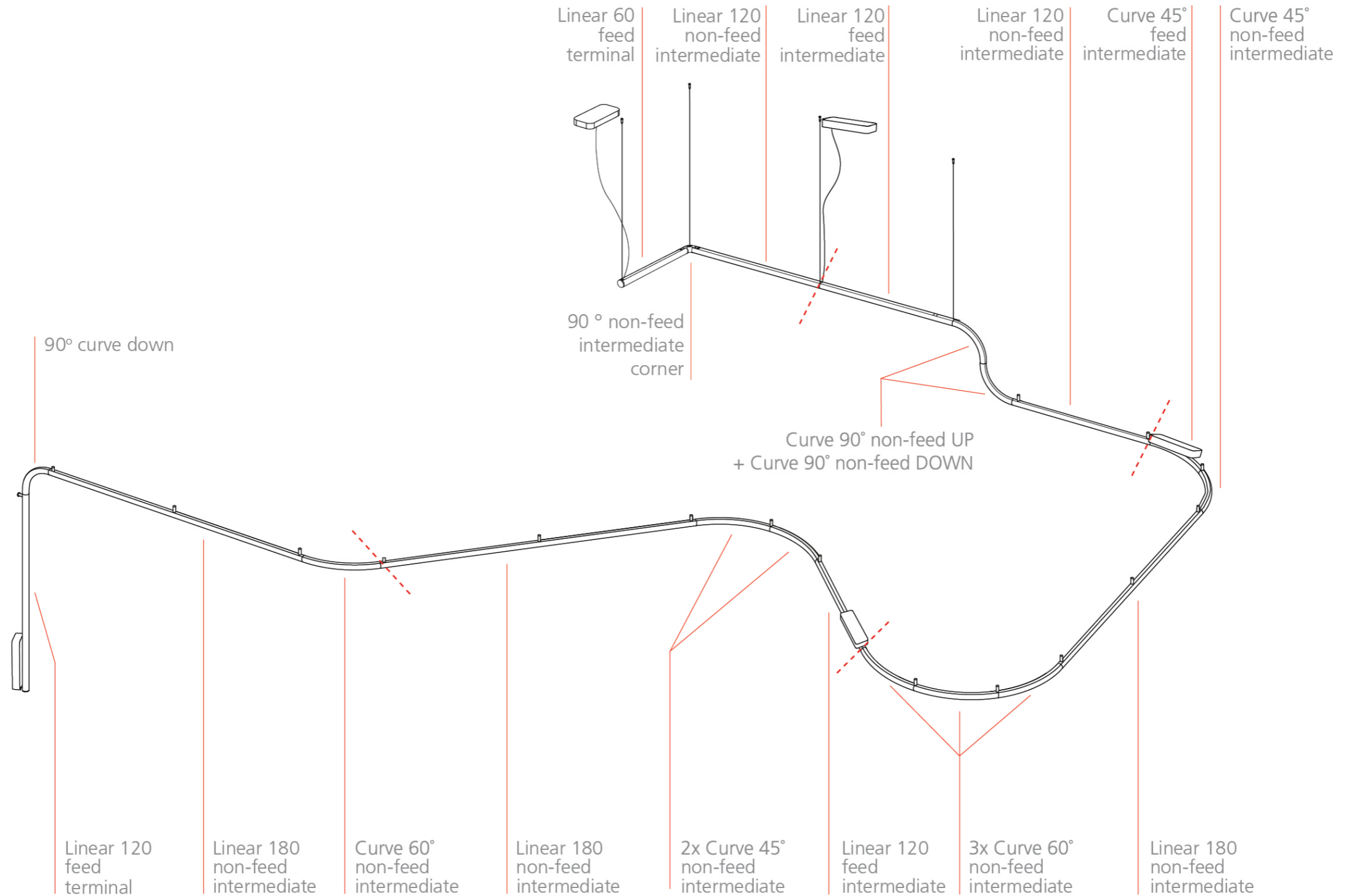
SYSTEM COMPOSITION

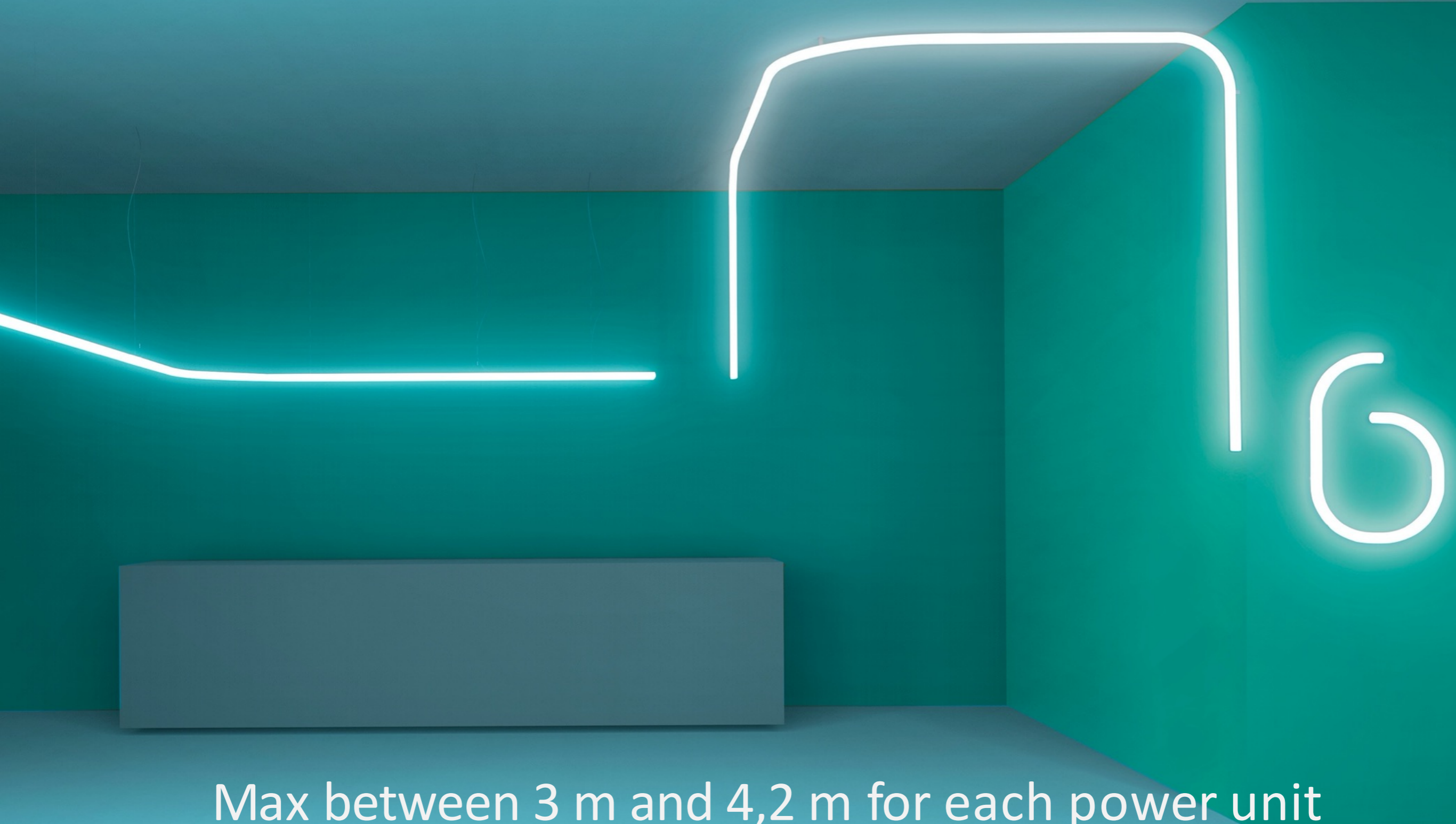


SYSTEM COMPOSITION



SYSTEM COMPOSITION





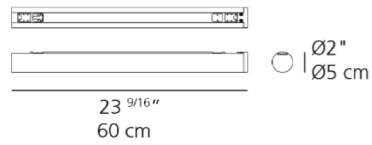
Max between 3 m and 4,2 m for each power unit

85W_ 24V _ Dimmable 0-10

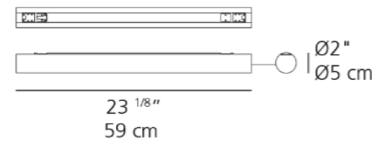
SYSTEM MODULES SUSPENSION

SUSPENSION - LINEAR ELEMENTS

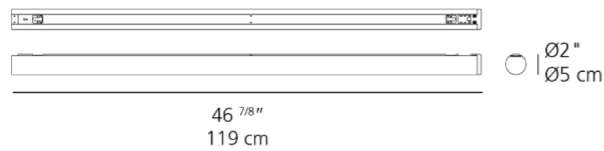
60 TERMINAL



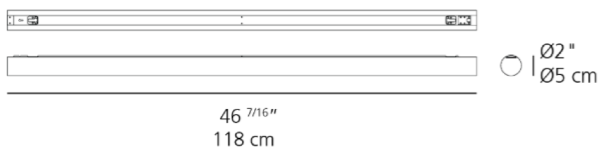
60 INTERMEDIATE



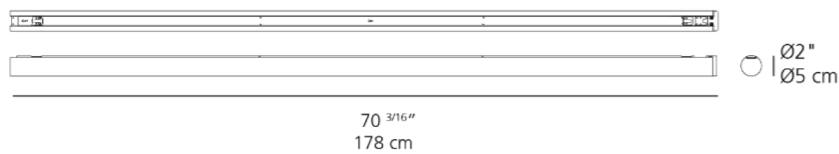
120 TERMINAL



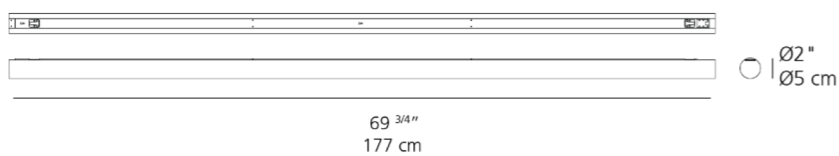
120 INTERMEDIATE



180 TERMINAL

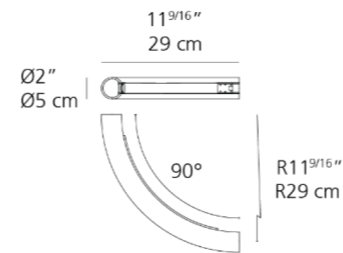


180 INTERMEDIATE

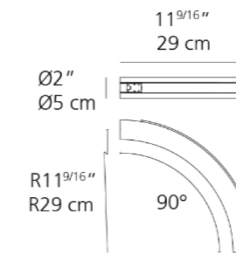


SUSPENSION - CURVE ELEMENTS

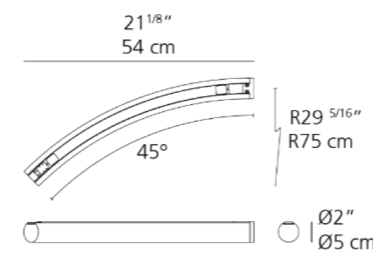
90° VECRTICAL UP



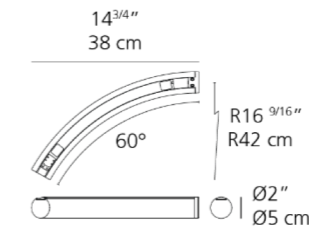
90° VECRTICAL DOWN



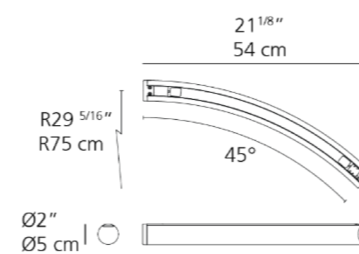
45° LEFT TERMINAL



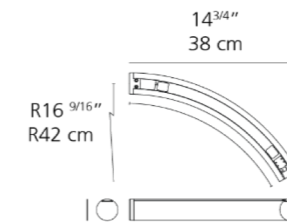
60° LEFT TERMINAL



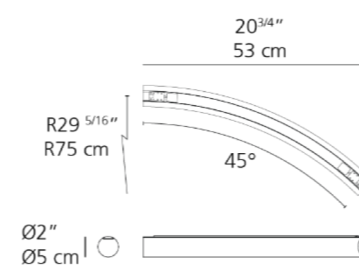
45° RIGHT TERMINAL



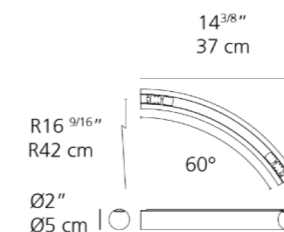
60° RIGHT TERMINAL



45° INTERMEDIATE



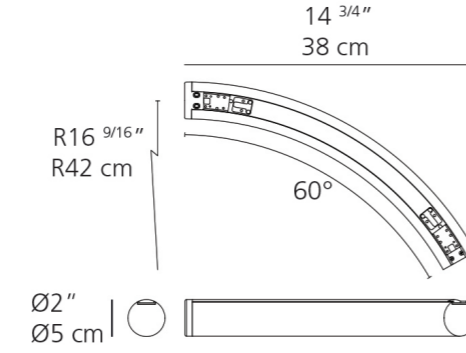
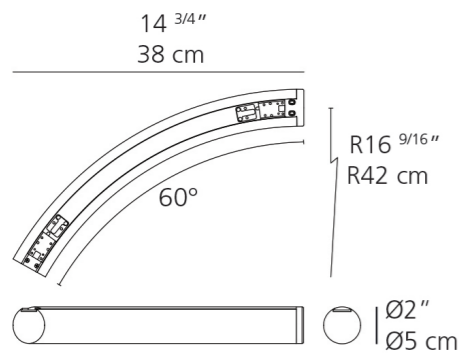
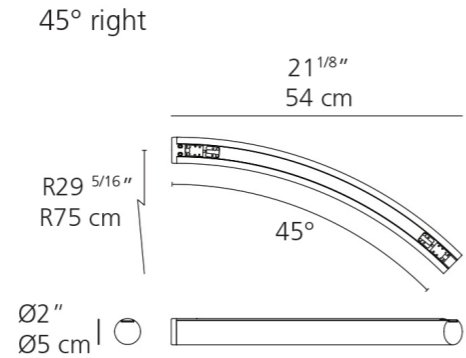
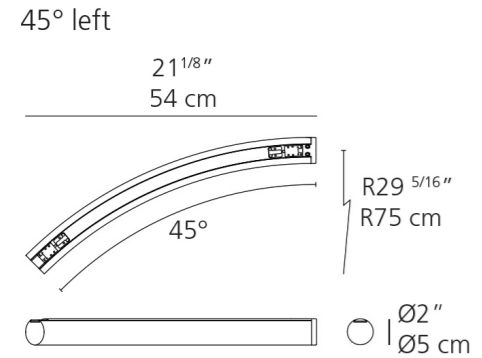
60° INTERMEDIATE



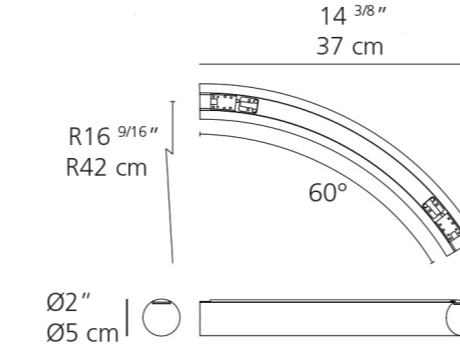
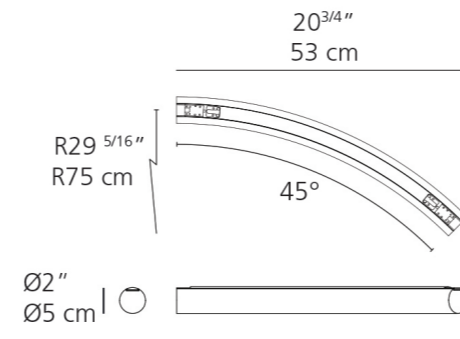
SYSTEM MODULES SUSPENSION

ALPHABET OF LIGHT - SUSPENSION SYSTEM

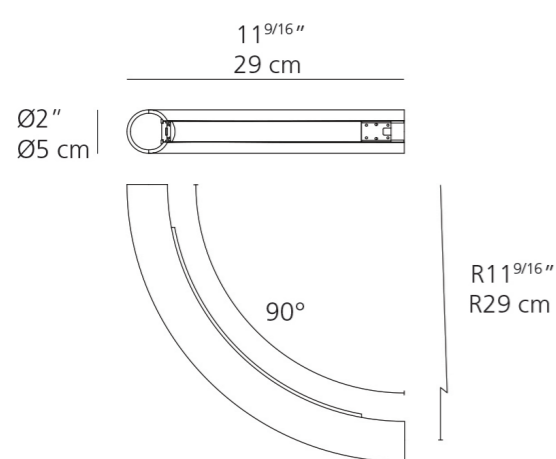
CURVED ELEMENTS TERMINAL



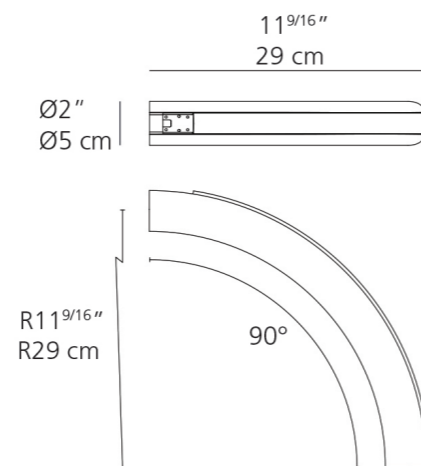
CURVED ELEMENTS INTERMEDIATE



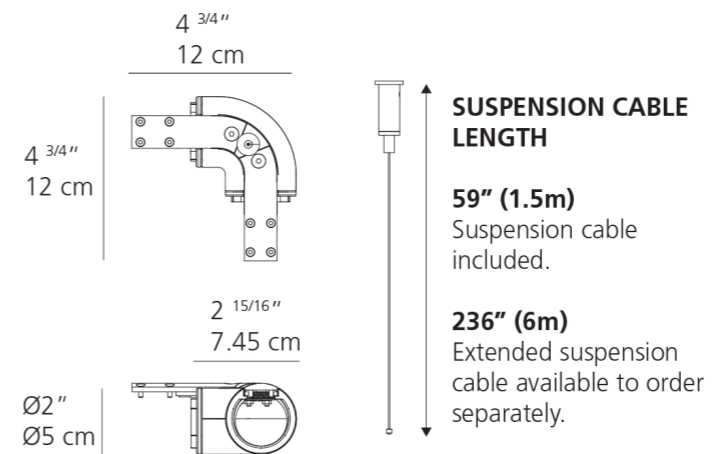
90° VERTICAL UP



90° VERTICAL DOWN

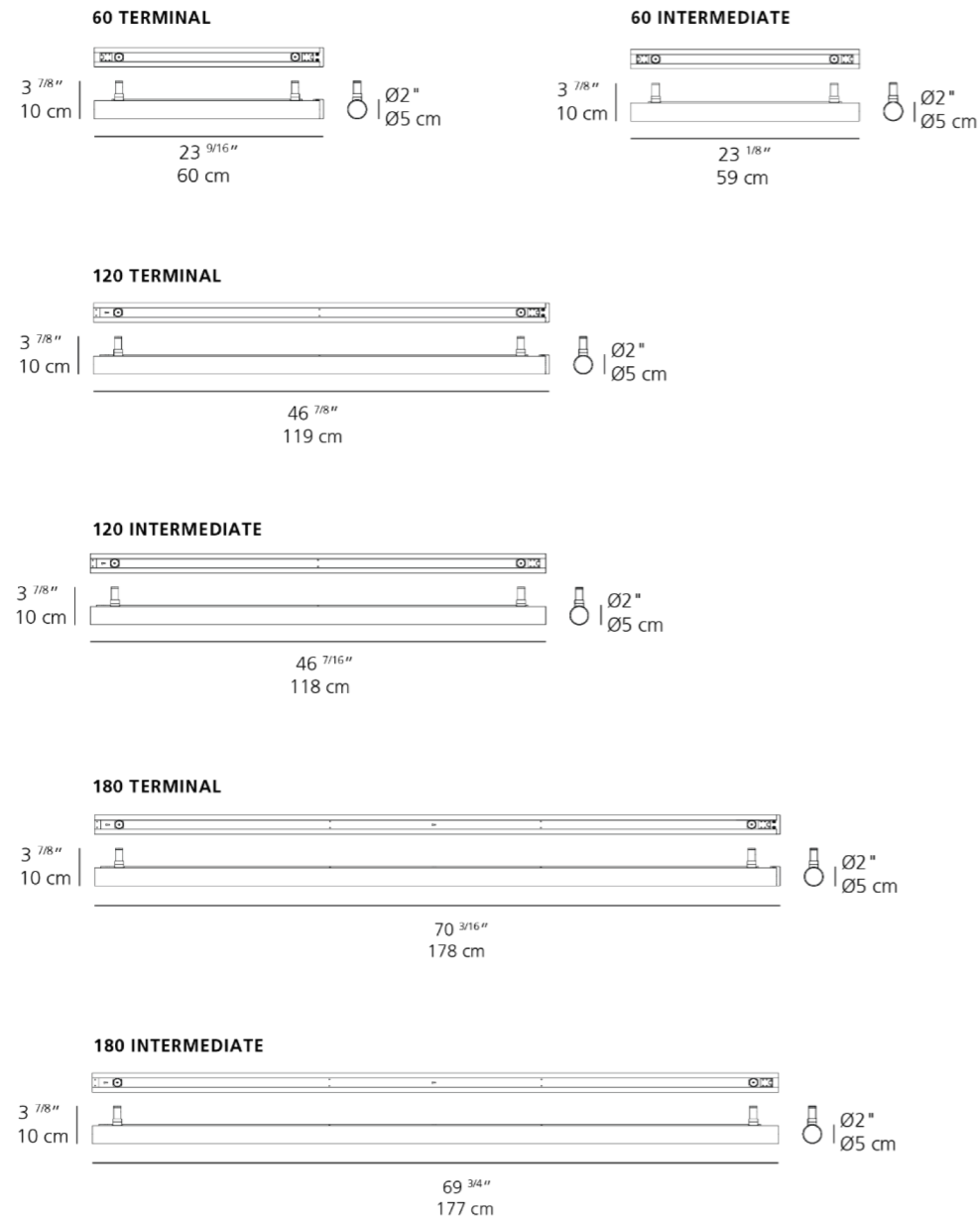


90° INTERMEDIATE HORIZONTAL CORNER

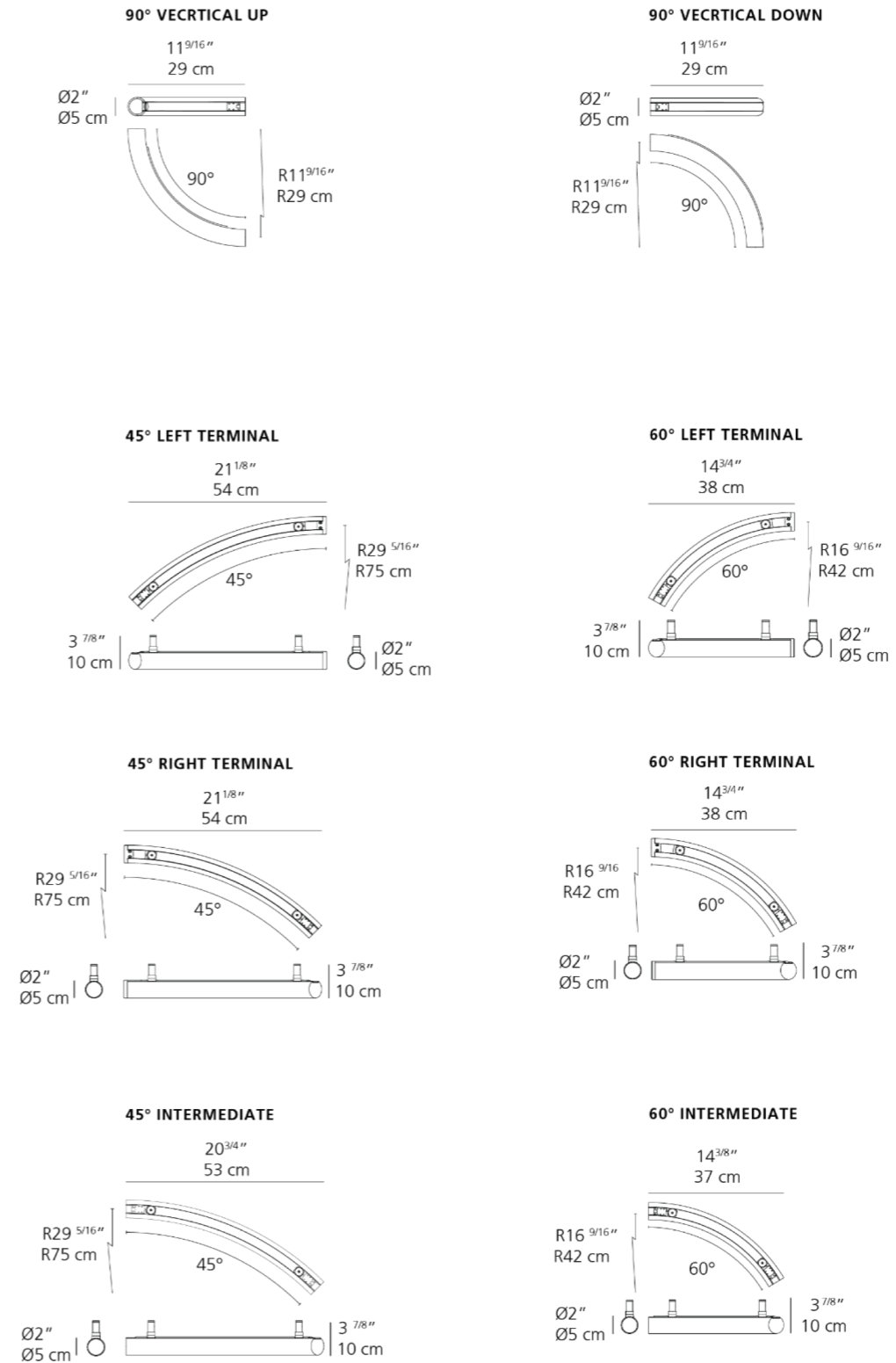


SYSTEM MODULES WALL/CEILING

WALL/CEILING - LINEAR ELEMENTS



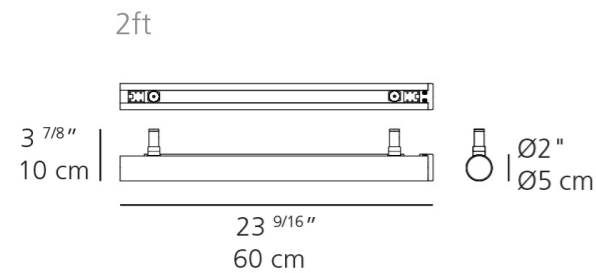
WALL/CEILING - CURVE ELEMENTS



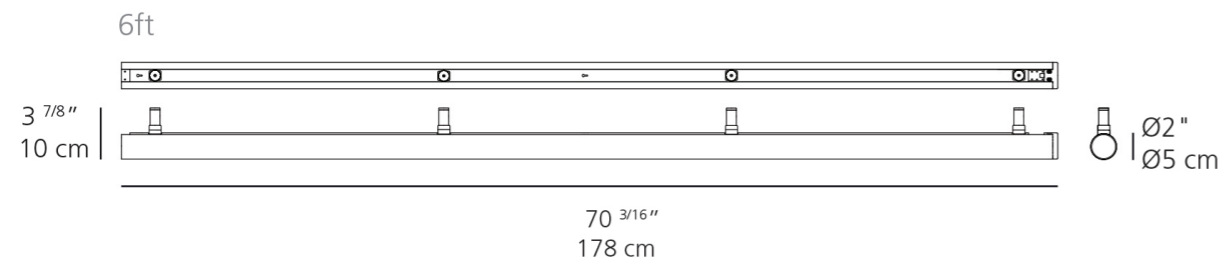
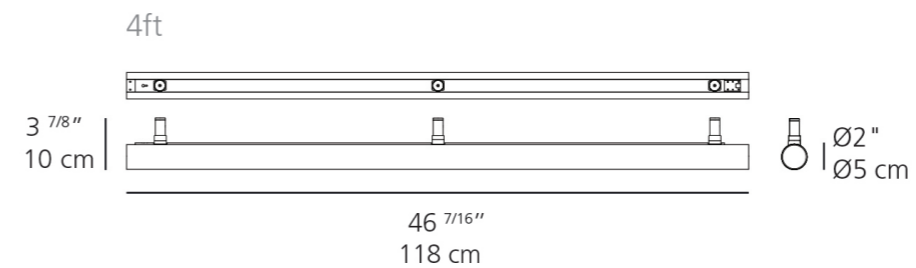
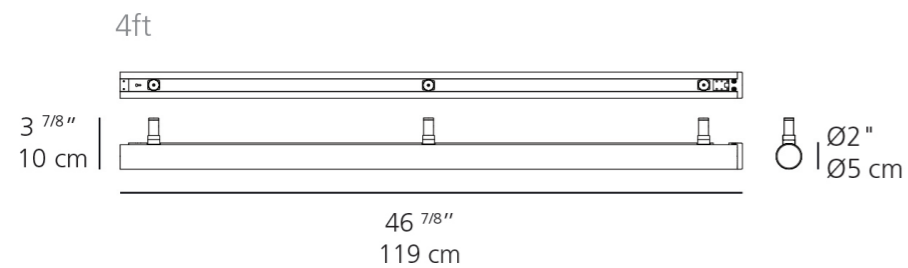
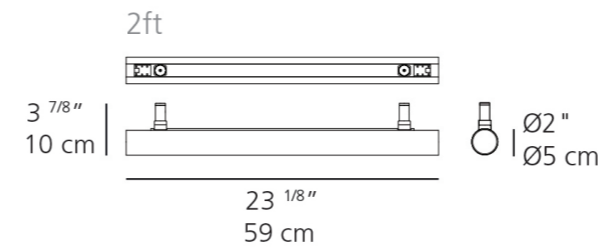
SYSTEM MODULES SURFACE

ALPHABET OF LIGHT - SURFACE SYSTEM

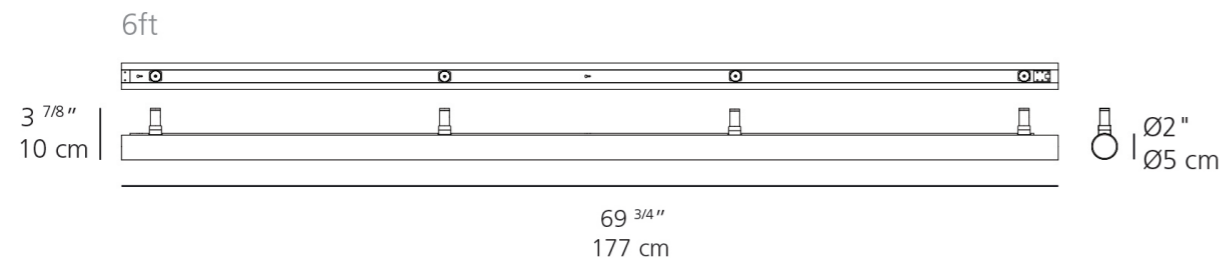
LINEAR ELEMENTS TERMINAL



LINEAR ELEMENTS INTERMEDIATE



LINEAR ELEMENTS INTERMEDIATE

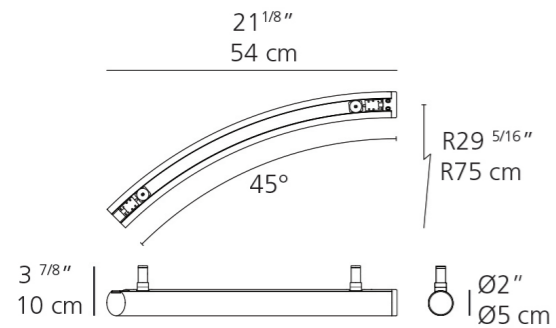


SYSTEM MODULES SURFACE

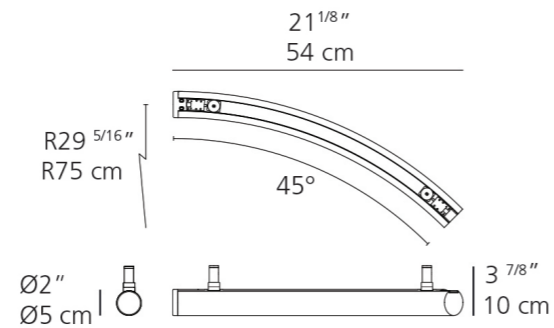
ALPHABET OF LIGHT - SURFACE SYSTEM

CURVED ELEMENTS TERMINAL

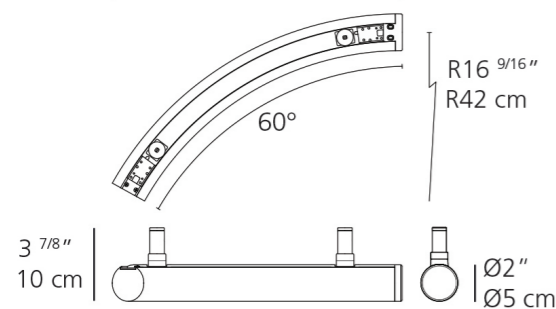
45° left



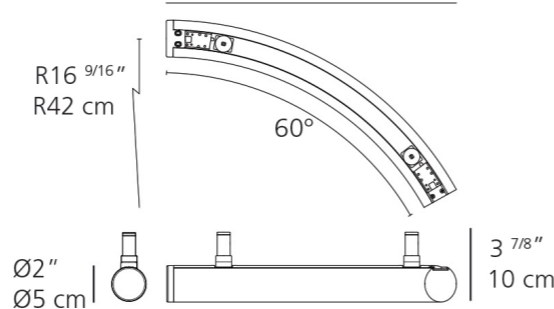
45° right



14 3/4"
38 cm

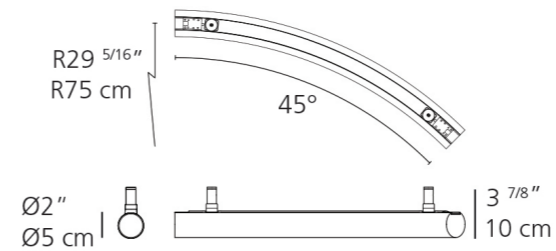


14 3/4"
38 cm

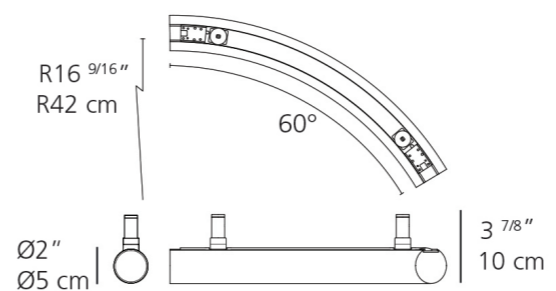


CURVED ELEMENTS INTERMEDIATE

20 3/4"
53 cm

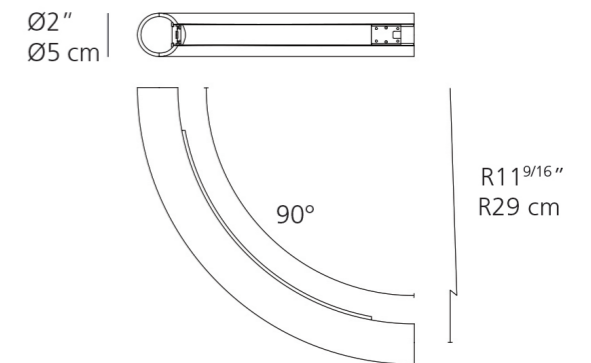


14 3/8"
37 cm



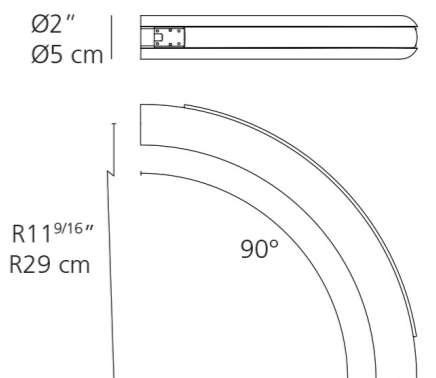
90° VERTICAL UP

11 9/16"
29 cm



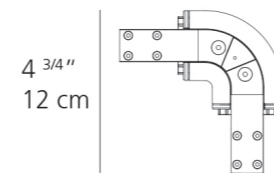
90° VERTICAL DOWN

11 9/16"
29 cm



90° INTERMEDIATE CORNER

4 3/4"
12 cm



2 15/16"
7.45 cm



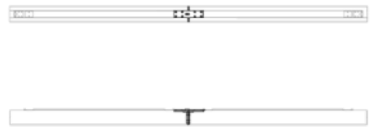


SLEEK

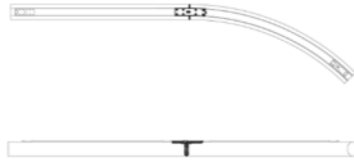
Alphabet of Light is composed of a series of seamless joiners and linear or curved models that fit together to create one piece with a seamless, even light.

SYSTEM MODULE Joiners

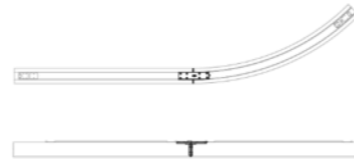
JOINER 1
LINEAR TO LINEAR
USC-2250010A



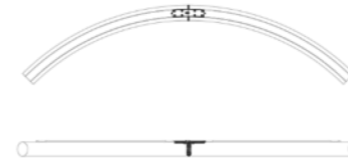
JOINER 2
LINEAR TO CURVE 45° - J
USC-2251010A



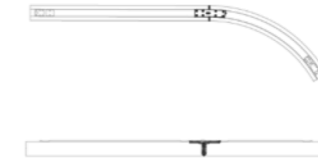
JOINER 3
LINEAR TO CURVE 45° - L
USC-2252010A



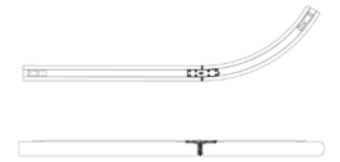
JOINER 4
CURVE 45° TO CURVE 45° - C
USC-2255010A



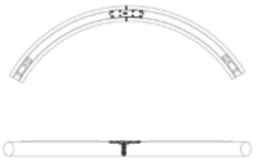
JOINER 5
LINEAR TO CURVE 60° - J
USC-2253010A



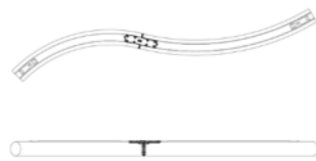
JOINER 6
LINEAR TO CURVE 60° - L
USC-2254010A



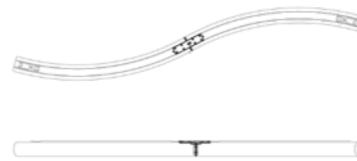
JOINER 7
CURVE 60° TO CURVE 60° - C
USC-2256010A



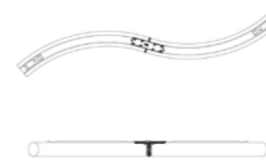
JOINER 8
CURVE 60° TO CURVE 45° - Z
USC-2257010A



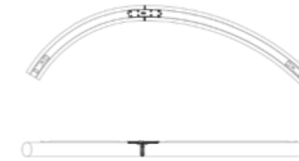
JOINER 9
CURVE 45° TO CURVE 45° - S
USC-2260010A



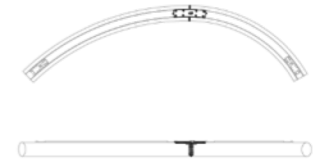
JOINER 10
CURVE 60° TO CURVE 60° - Z
USC-2259010A



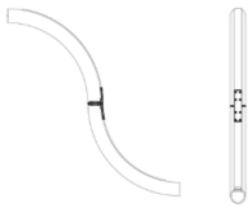
JOINER 11
CURVE 60° TO CURVE 45° - C
USC-2261010A



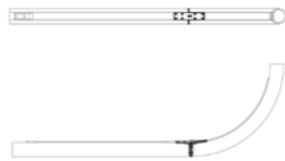
JOINER 12
CURVE 45° TO CURVE 60° - C
USC-2262010A



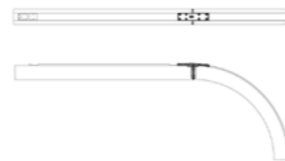
JOINER 13
90° DOWN TO 90° UP
USC-2263010A



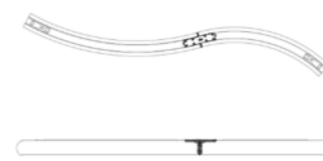
JOINER 14
LINEAR TO 90° UP
USC-2264010A



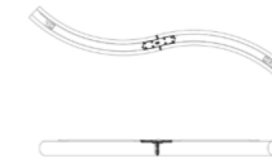
JOINER 15
LINEAR TO 90° DOWN
USC-2265010A



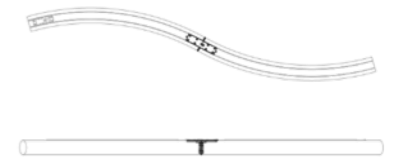
JOINER 16
CURVE 45° TO CURVE 60° - S
USC-2258010A



JOINER 17
CURVE 45° TO CURVE 45° - Z
USC-2269010A



JOINER 18
CURVE 60° TO CURVE 60° - S
USC-2270010A



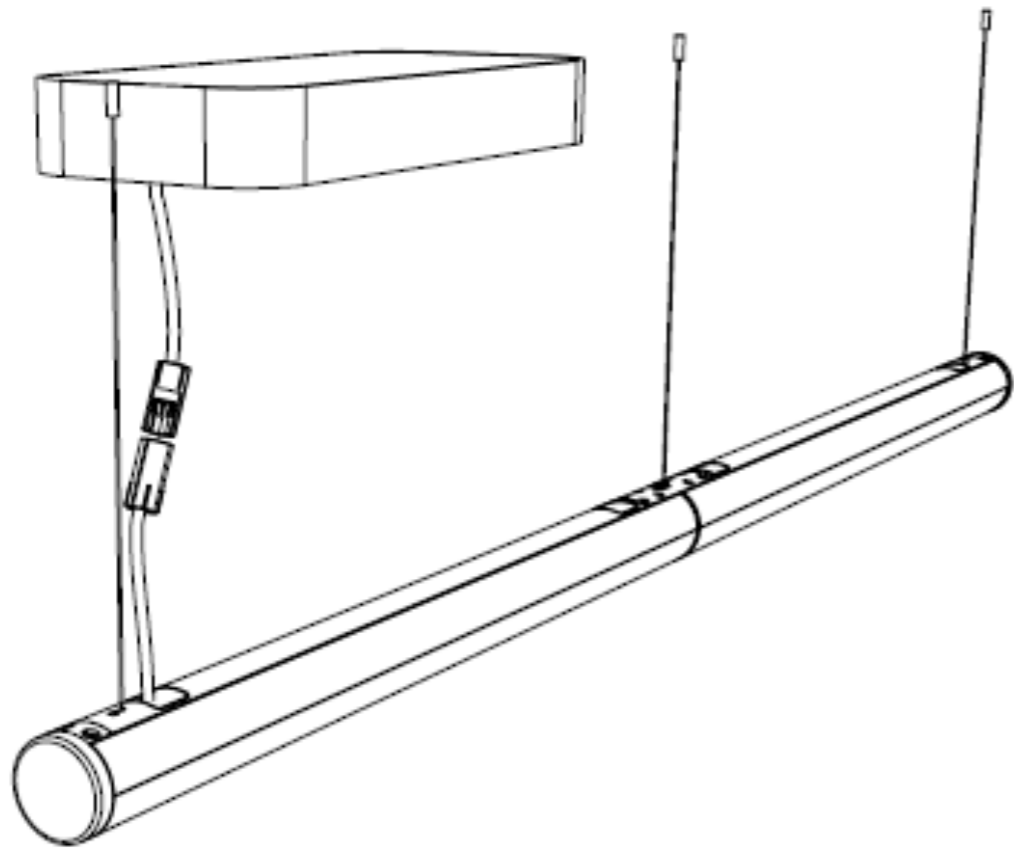
SYSTEM DRIVER HOUSINGS

SUSPENSION DRIVER HOUSING

Driver housing for suspension module, feed wire for suspension module.

2267018A : 59" feed wire – 1,5m feed wire

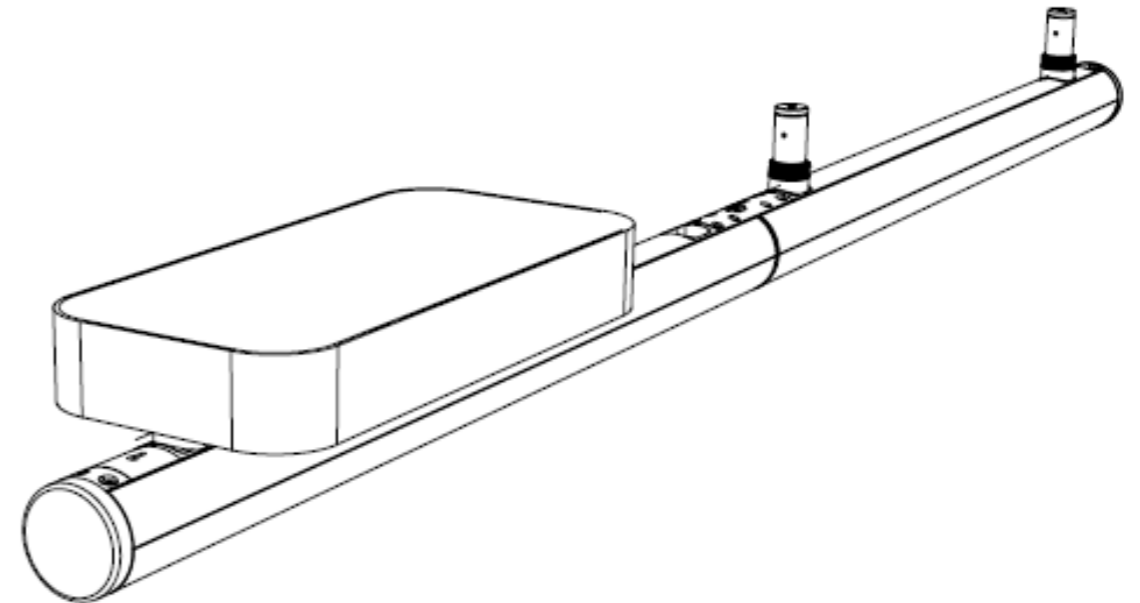
2267018AEXT : 236" feed wire – 6m feed wire



WALL-CEILING DRIVER HOUSING

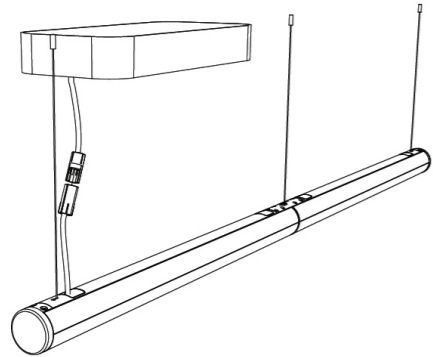
Driver housing for wall/ceiling module.

2268018A

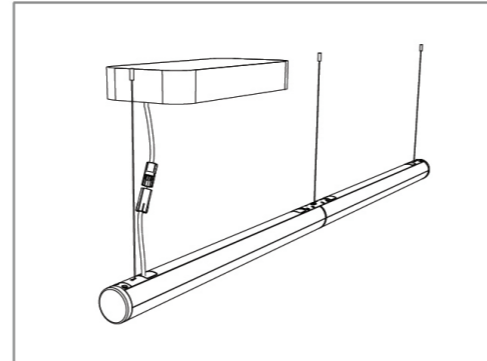


SYSTEM DRIVER HOUSINGS

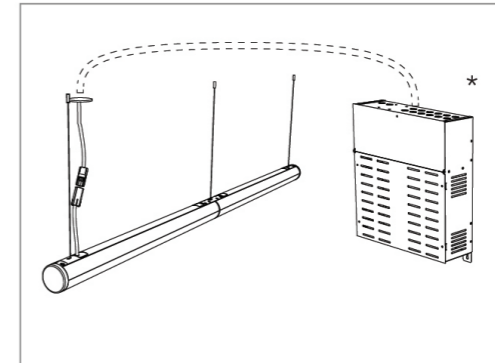
DRIVER HOUSING FOR SUSPENSION MODULES



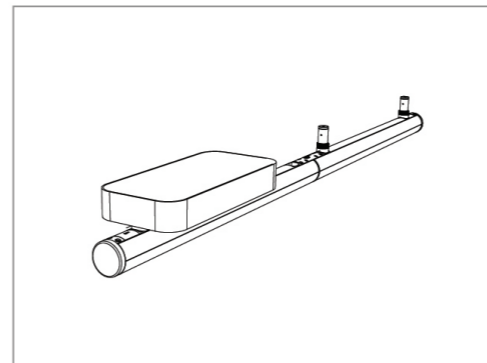
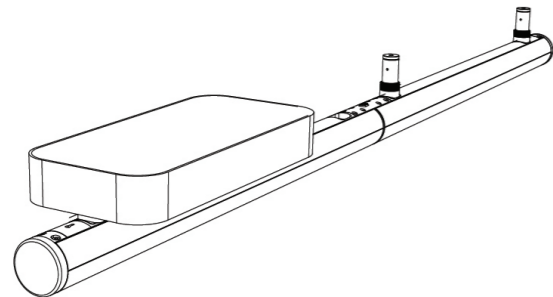
LOCALLY FEEDING THE SECTION
Feed module + driver housing



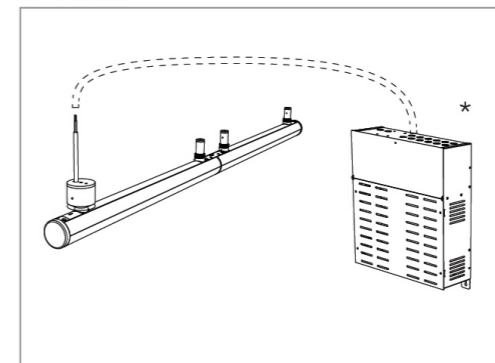
REMOTELY FEEDING THE SECTION
Feed module + canopy for remote feed
+ AOL Driver Enclosure



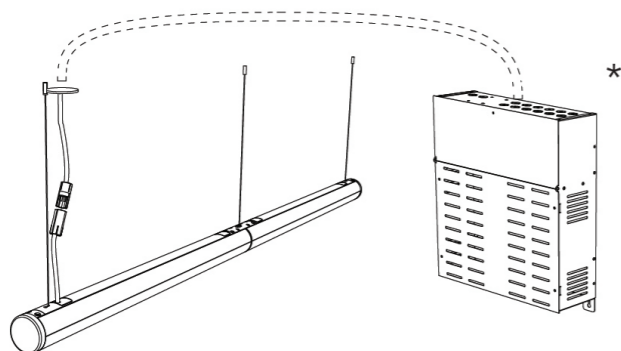
DRIVER HOUSING FOR WALL / CEILING MODULES



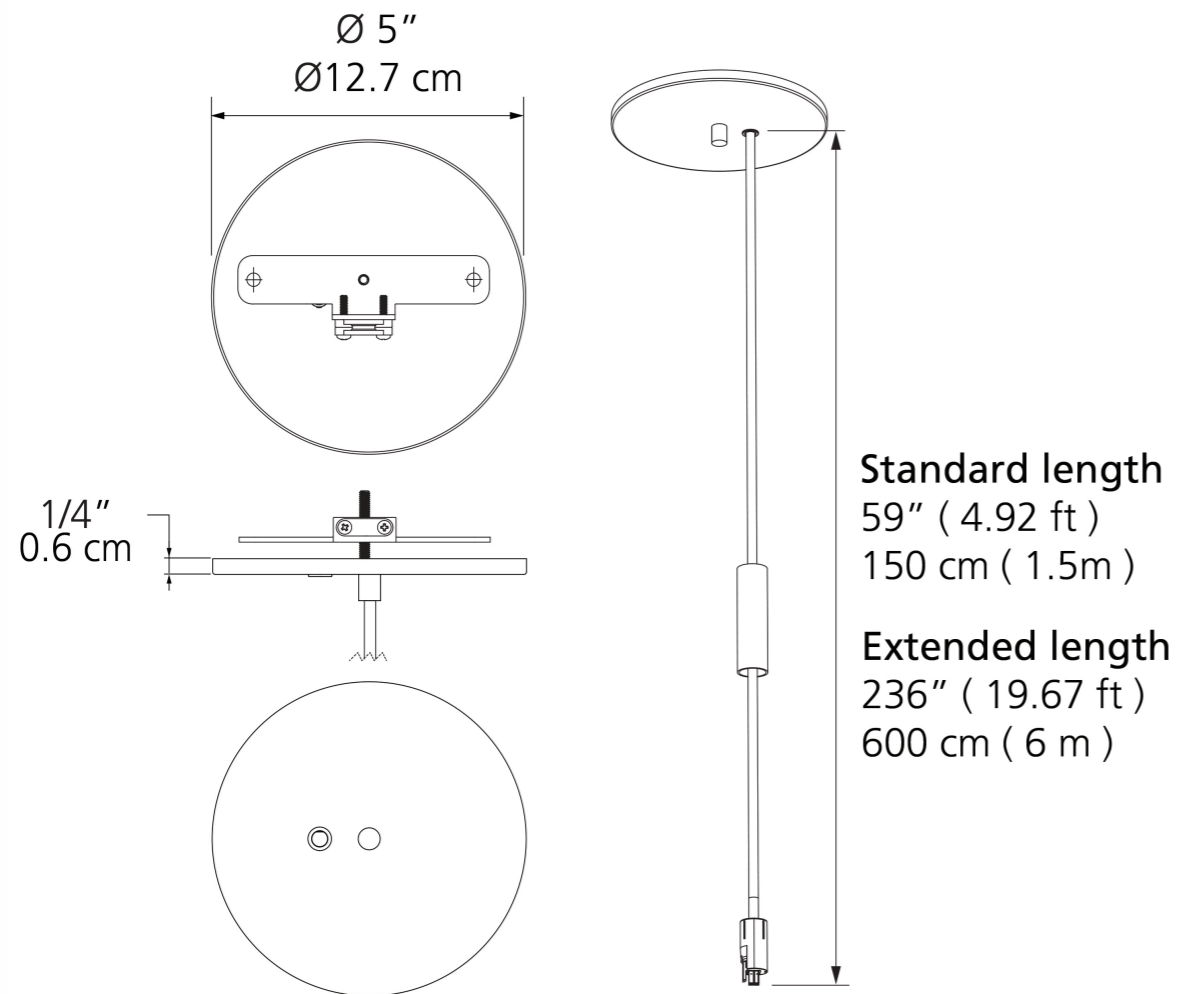
Remote feed module + AOL Driver
Enclosure



REMOTE FEED CANOPY FOR AOL DRIVER
ENCLOSURE FOR WALL / CEILING MODULES AND
SUSPENSION



REMOTE FEED CANOPY

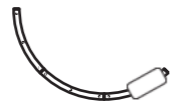


COMBINATIONS

CURVE 45° / LINEAR 120 / LINEAR 180



CURVE 90°
(2 x curve 45°)



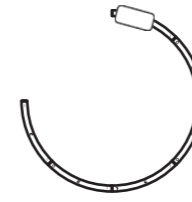
CURVE 135°
(3 x curve 45°)



CURVE 180°
(4 x curve 45°)



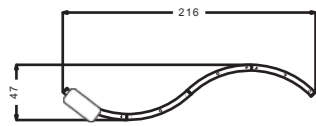
CURVE 225°
(5 x curve 45°)



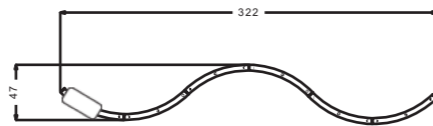
CURVE 270°
(6 x curve 45°)



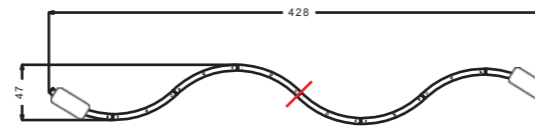
CURVE 315°
(7 x curve 45°)



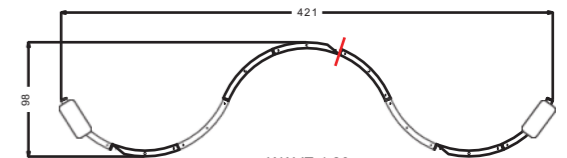
WAVE 2.15m
(4 x curve 45°)



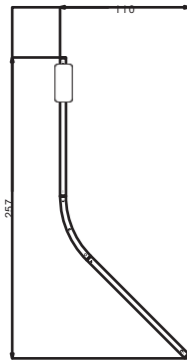
WAVE 3.20m
(6 x curve 45°)



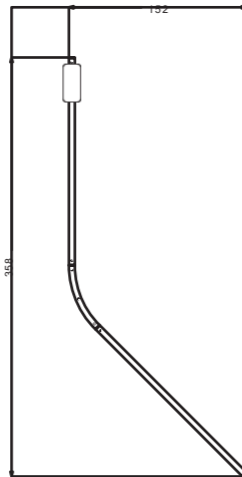
WAVE 4.25 m
(8 x curve 45°)



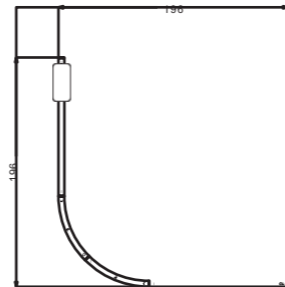
WAVE 4.20 m
(9 x curve 45°)



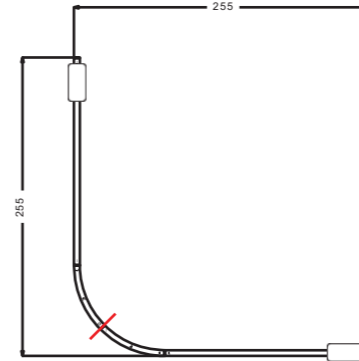
LINEAR 120 AT 45°
(2 x linear 120 + 1 x curve 45°)



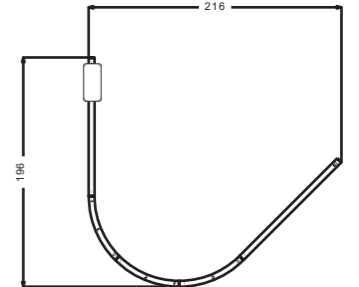
LINEAR 180 AT 45°
(2 x linear 180 + 1 x curve 45°)



LINEAR 120 AT 90°
(2 x linear 120 + 2 x curve 45°)



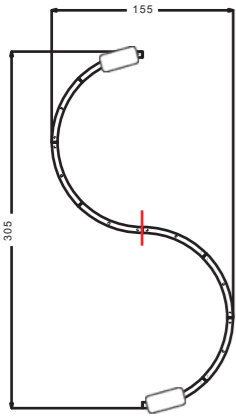
LINEAR 180 AT 90°
(2 x linear 180 + 2 x curve 45°)



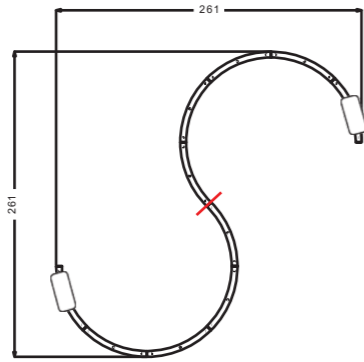
LINEAR 120 AT 135°
(2 x linear 180 + 3 x curve 45°)

COMBINATIONS

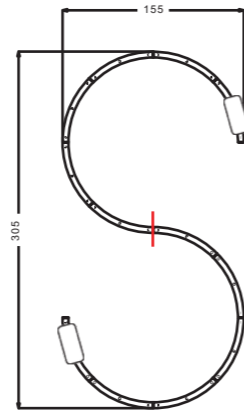
CURVE 45° / LINEAR 120 / LINEAR 180



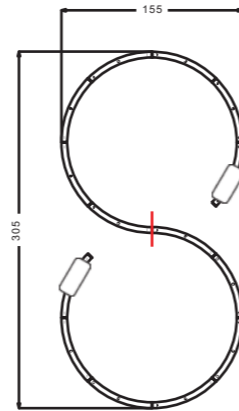
S1
(8 x curve 45°)



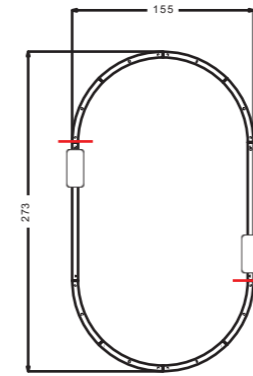
S2
(10 x curve 45°)



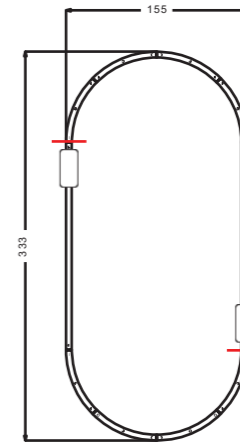
S3
(12 x curve 45°)



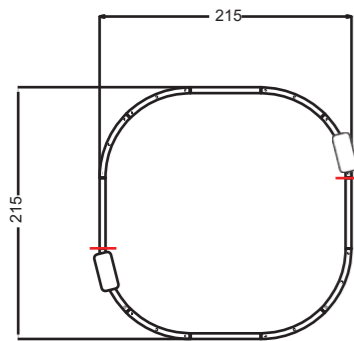
S4
(14 x curve 45°)



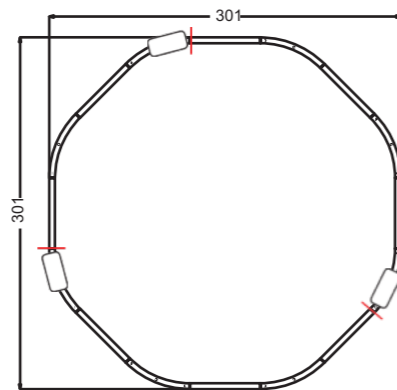
OVAL 120
(2x linear 120 + 8 x curve 45°)



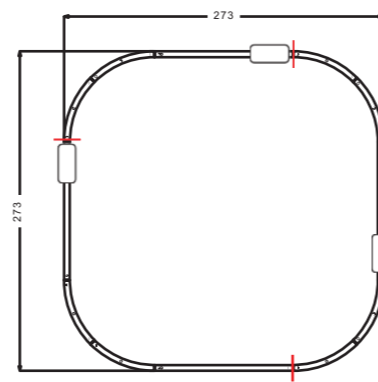
OVAL 180
(2x linear 180 + 8 x curve 45°)



SQUARE 60
(4 x linear 60 + 8 x curve 45°)



OCTAGON 60
(8 x linear 60 + 8 x curve 45°)



SQUARE 120
(4 x linear 120 + 8 x curve 45°)

COMBINATIONS

CURVE 60° / LINEAR 120 / LINEAR 180



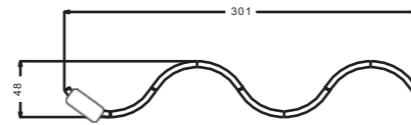
CURVE 180°
(3 x curve 60°)



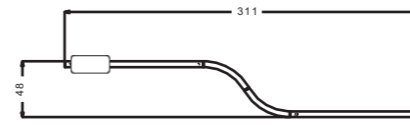
CURVE 240°
(4 x curve 60°)



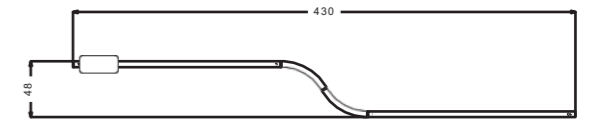
CURVE 300°
(5 x curve 60°)



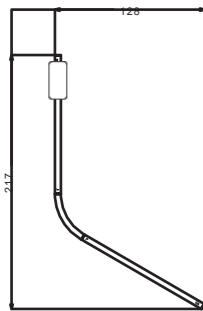
WAVE 3.00 m
(8 x curve 60°)



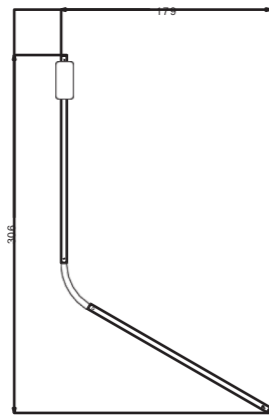
WAVE LINEAR 3.10 m
(2 x linear 120 + 2 x curve 60°)



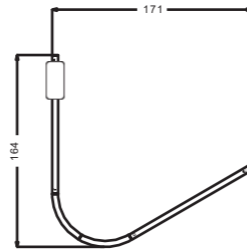
WAVE LINEAR 4.30 m
(2 x linear 180 + 2 x curve 60°)



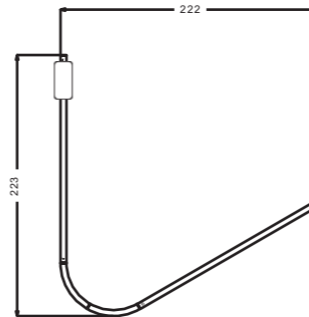
LINEAR 120 AT 60°
(2 x linear 120 + 1 x curve 60°)



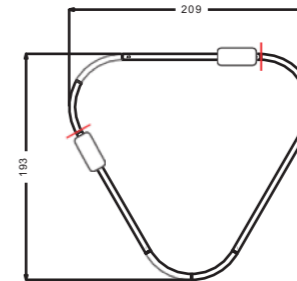
LINEAR 180 AT 60°
(2 x linear 180 + 1 x curve 60°)



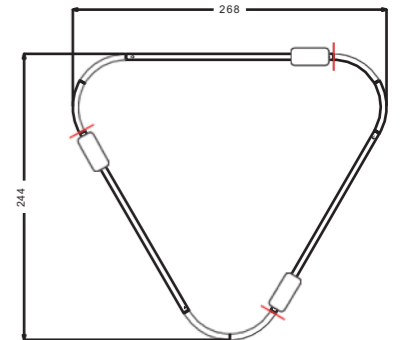
LINEAR 120 AT 120°
(2 x linear 120 + 2 x curve 60°)



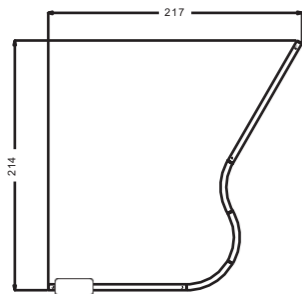
LINEAR 180 AT 120°
(2 x linear 180 + 2 x curve 60°)



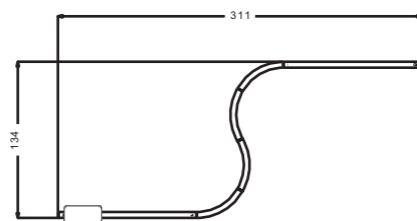
TRIANGLE 120
(3 x linear 120 + 6 x curve 60°)



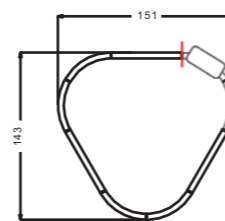
TRIANGLE 180
(3 x linear 180 + 6 x curve 60°)



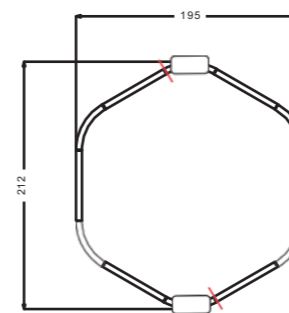
WAVE LINEAR 120
(2 x linear 120 + 3 x curve 60°)



WAVE LINEAR 3.10 m
(2 x linear 120 + 4 x curve 60°)



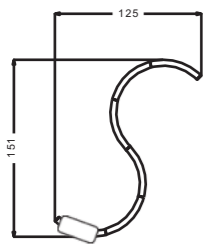
TRIANGLE 60
(3 x linear 60 + 6 x curve 60°)



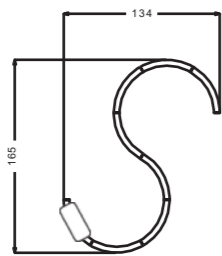
HEXAGON 60
(6 x linear 60 + 6 x curve 60°)

COMBINATIONS

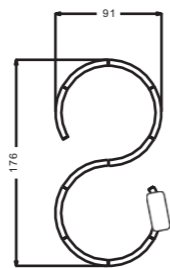
CURVE 60° / LINEAR 120 / LINEAR 180



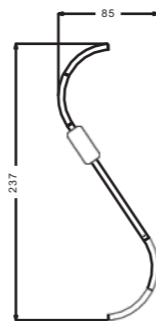
S1
(6 x curve 60°)



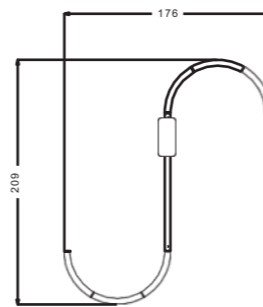
S2
(8 x curve 60°)



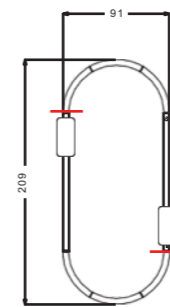
S3
(10 x curve 60°)



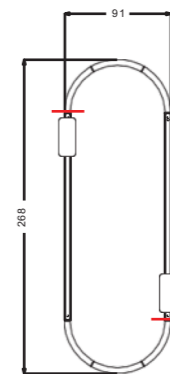
S4 120
(1 x linear 120 + 4 x curve 60°)



S5 120
(1 x linear 120 + 6 x curve 60°)



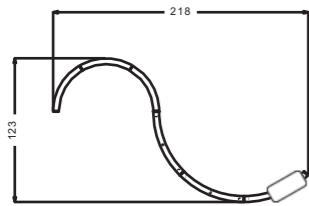
OVAL 120
(2 x linear 120 + 6 x curve 60°)



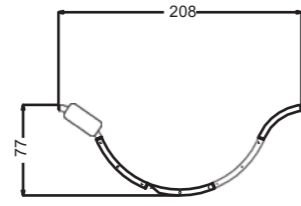
OVAL 180
(2 x linear 180 + 6 x curve 60°)

COMBINATIONS

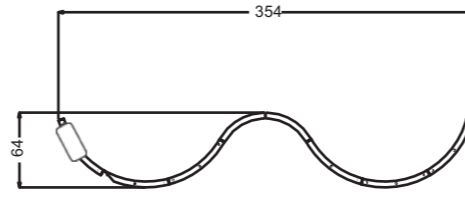
CURVE 60° / CURVE 45°



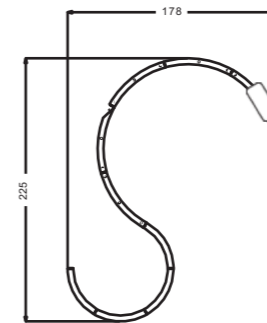
WAVE 1
(3 x curve 60° + 3 x curve 45°)



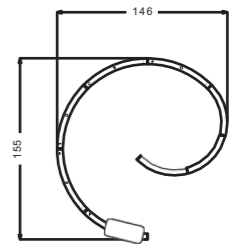
WAVE 2
(2 x curve 60° + 3 x curve 45°)



WAVE 3
(2 x curve 60° + 6 x curve 45°)



WAVE 4
(4 x curve 60° + 4 x curve 45°)



SPIRAL 1
(3 x curve 60° + 5 x curve 45°)



HEADQUARTERS OF ZOGENIX , EMERYVILLE, CA, USA

Project: Revel Architecture & Design. Lighting Solution: Lighting Systems. Photo: Emily Hagopian



HEADQUARTERS OF ZOGENIX , EMERYVILLE, CA, USA

Project: Revel Architecture & Design. Lighting Solution: Lighting Systems. Photo: Emily Hagopian

Artemide