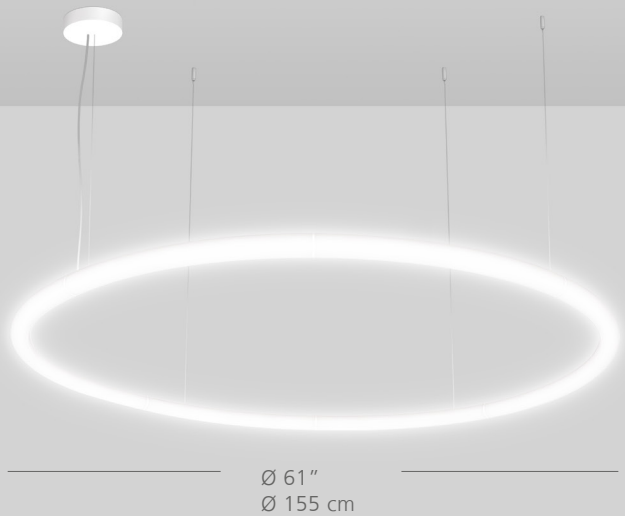


Ø 35 7/16"  
Ø 90 cm

**CIRCULAR 90**

7782 lumens  
50 watts



Ø 61"  
Ø 155 cm

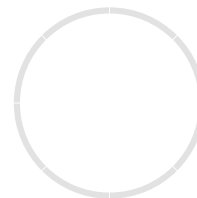
**CIRCULAR 155**

15636 lumens  
100 watts



# CIRCULAR





CIRCULAR 90



CIRCULAR 155

LIGHT SOURCE	LED	LED
LIGHT DIRECTION	Direct / Indirect	Direct / Indirect
COLOR RENDERING INDEX	80CRI	80CRI
COLOR TEMPERATURE	3000K 	3000K 
POWER CONSUMPTION (W)	55W	110W
DELIVERED LUMENS (lm)	6304lm	12667lm
EFFICACY (lm/W)	114.6	115.2
EFFICIENCY (%)	81%	81%

## FEATURES

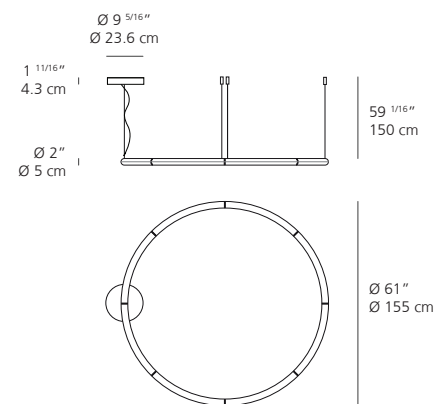
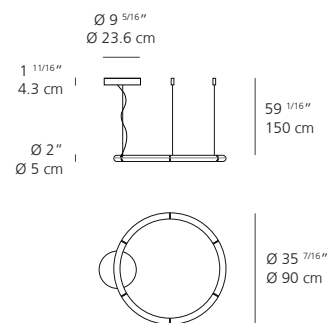
FUNCTION	Indoor general lighting
BODY FINISH	Opal diffusing PMMA
VOLTAGE	ON/OFF 120-277V
DIMMING	0-10V (120-277V) Phase dimming / 2-wire (120V only)
CERTIFICATIONS	 

# CIRCULAR

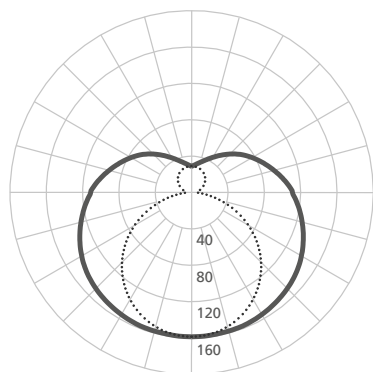
## CIRCULAR 90

## CIRCULAR 155

### OVERALL DIMENSIONS



### PHOTOMETRIC DISTRIBUTION



MAX VALUE  
158.36 cd/klm