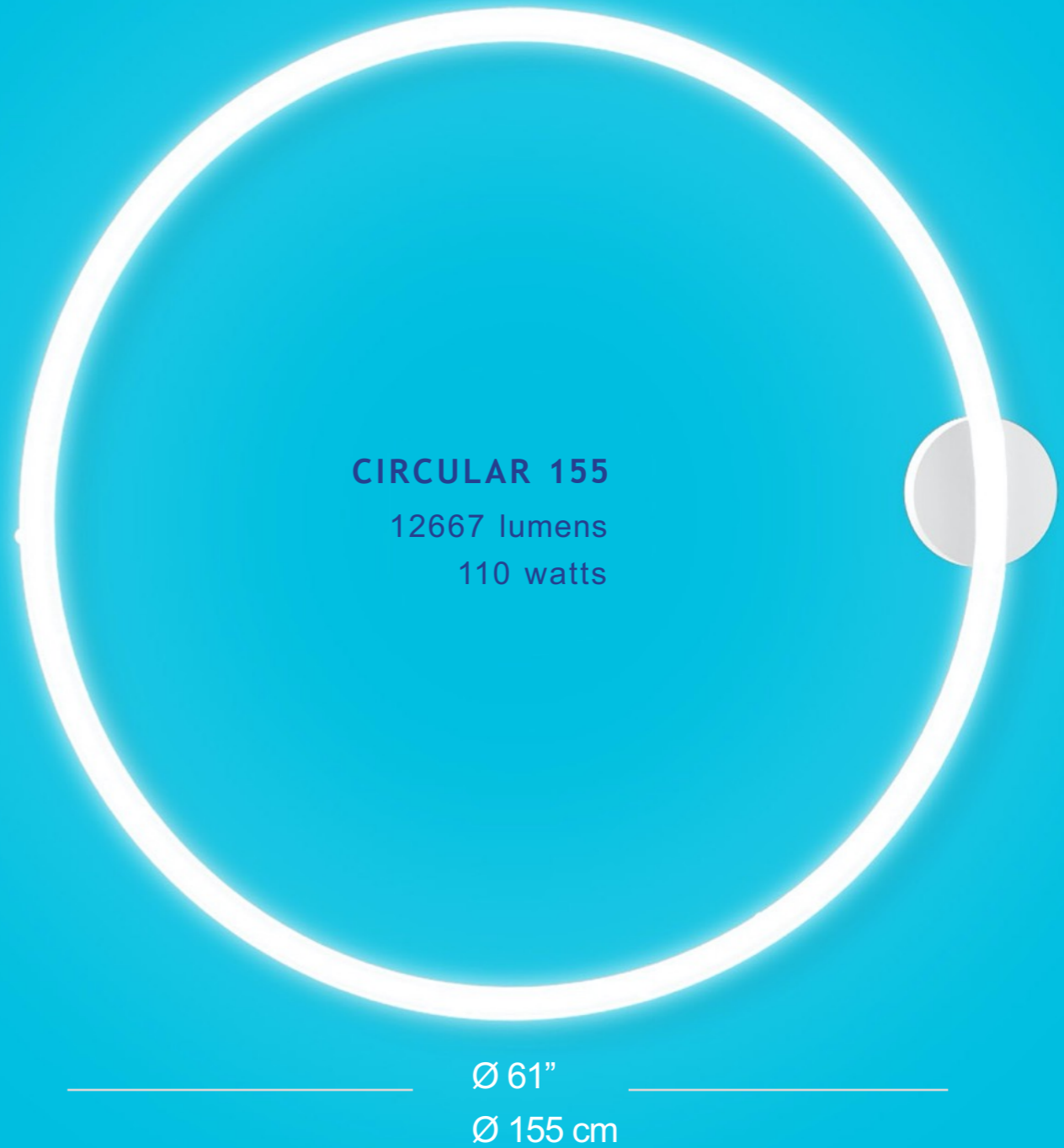


# NEW WALL/CEILING VERSION

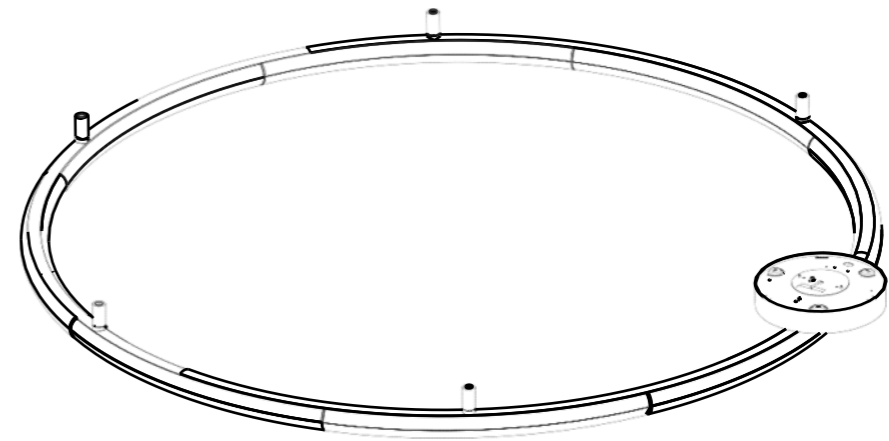
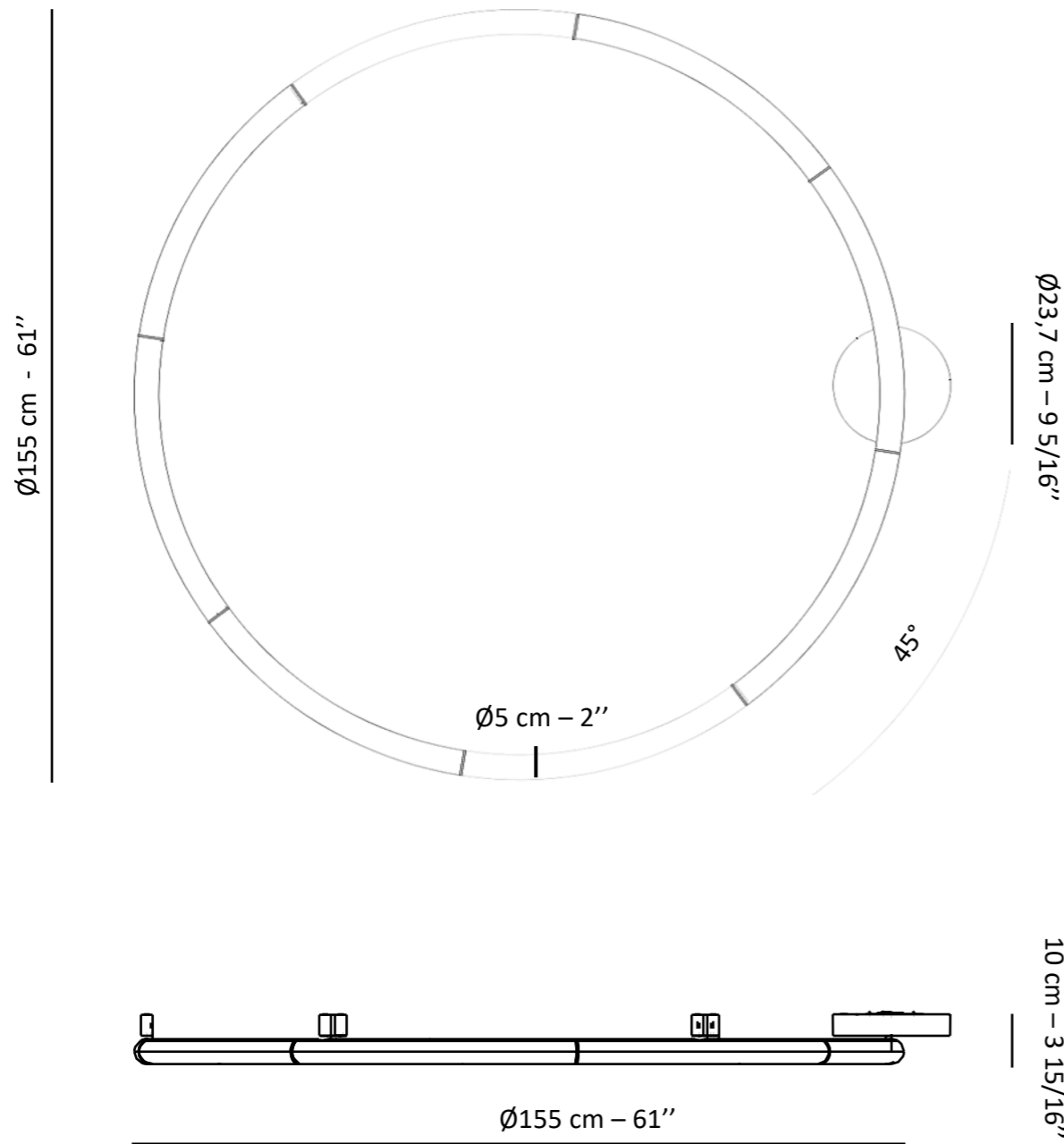


Materials: plastic material diffusing body, aluminum heatsink  
Colours: heat sink in anodized aluminum, tube in diffusing PMMA

# ALPHABET OF LIGHT WALL/CEILING





# ALPHABET OF LIGHT CIRCULAR WALL/CEILING



# ALPHABET OF LIGHT CIRCULAR W/C

BIG

		Emission	Total Power	Flux
	Alphabet of light Circular Ø155	diffused light	110W	12667 lm 3000K /3500K, CRI=80 Dimmable 2 wire / Dimmable 0-10
	Alphabet of light Circular Ø90	diffused light	55W	6304 lm 3000K /3500K, CRI=80 Dimmable 2 wire / Dimmable 0-10