

Type 75™ Mini Metallic Desk Lamp

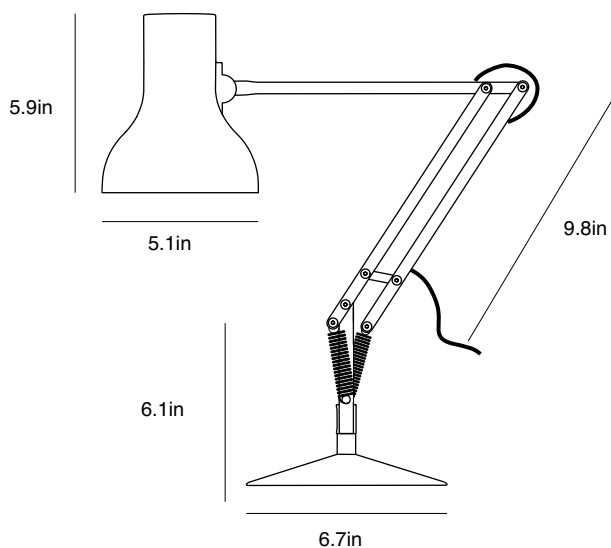
ANGLEPOISE®

Type 75™ Mini Metallic Collection | Technical Sheet

Launched In 2017 | Designed by Sir Kenneth Grange



22in



Product

Desk Lamp - Silver Luster
Desk Lamp - Gold Luster
Desk Lamp - Copper Luster

Description

The Type 75™ Mini Metallic desk lamp is a high class task light that marries faultless function with statement-making form. Not only does this iteration of an Anglepoise® classic come in three sophisticated anodised brushed aluminum finishes, the shade also boasts a seamlessly integrated switch.

Materials

- Anodised brushed aluminum finish
- Aluminum shade
- Aluminum arms
- Chrome plated fittings
- Cast iron base with aluminum cover
- Anglepoise® constant tension spring technology

Dimensions

- Shade diameter: 5.1in
- Shade height: 5.9in
- Max reach: 19.7in (from base to shade)
- Base diameter: 6.7in
- Cable length: 70.9in
- Lamp packaging (L x W x H): 9.1in x 6.5in x 18.3in
- Lamp packaged weight: 6.2lbs

Electrical

- Voltage: 110/120V, 50/60 Hz
- E12 lamp holder
- Note: Bulb weight critical for balance. Approximate bulb weight 25-45g
- Inline cable switch (8.7in from product)
- Maximum permitted bulb: 15W CFL / 5W LED E12
- Supplied with 13W E12 CFL bulb:
 - Luminous Intensity: 800lm
 - Life: 10,000 Hours
 - Non-dimmable
 - Color Temperature: 2700K
 - CRI (Ra): 80

 **illuminations**
425 Peachtree Hills Ave. NE #3 Atlanta, GA 30305
404.876.1064 sales@illumco.com