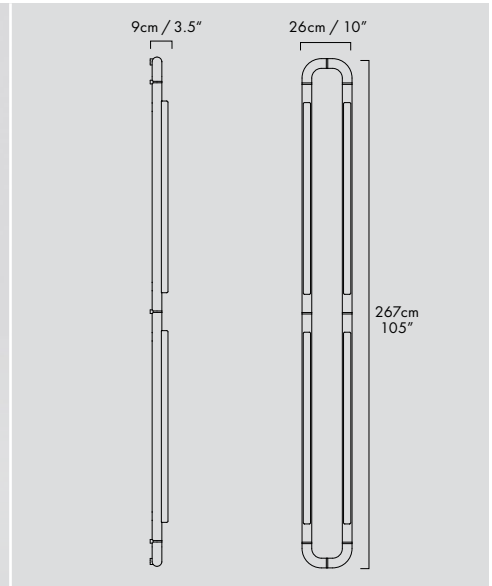


PIPELINE CM7 - C/W

CEILING/WALL

MANUFACTURED IN CANADA

CAINE HEINTZMAN / 2021



PIP-CM7-CW-BK-27-MLV-120

DESCRIPTION

Space efficient, the surface mounted Pipeline provides accent lighting while becoming an integral element of the environment it is set in.

TYPE

Ceiling/Wall

DIMENSIONS

- Luminaire: 267 x 26 x 9cm /
105" x 10" x 3.5"

POWER TRIM OPTIONS

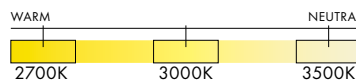
- Trimless (Mud-in or surface mount, remote power supply)

* SEE INSTALL INSTRUCTIONS

TECHNICAL INFORMATION

- Input Voltage:
110-120V / 220-240V / 110-277V
- Integral LED source
- 68W @ 24V DC
- 47,000 hours life
- CRI 90+
- Controls:
Phase dimming / 0-10 / DALI

COLOUR TEMPERATURE OPTIONS



CERTIFICATIONS

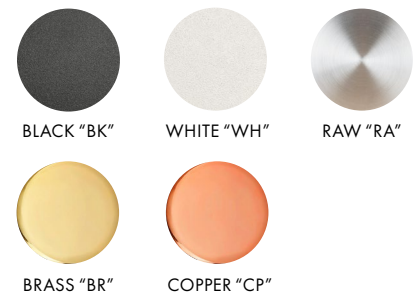


* APPLICATION: DRY INDOOR LOCATION ONLY

MATERIALS

- Aluminum
- Acrylic

FINISHES



FOR CUSTOM FINISHES,
PLEASE INQUIRE.

| SERIES | SIZE | TYPE | BODY FINISH | END CAP/JOINER | CCT | PS | VOLTAGE IN |
|--------|------|------|--------------------------------------|--------------------------------------|-------------------------------------|------------------------------|------------------------------|
| PIP | CM7 | CW | <input type="checkbox"/> BK (BLACK) | <input type="checkbox"/> BK (BLACK) | <input type="checkbox"/> 27 (2700K) | <input type="checkbox"/> MLV | <input type="checkbox"/> 120 |
| | | | <input type="checkbox"/> WH (WHITE) | <input type="checkbox"/> WH (WHITE) | <input type="checkbox"/> 30 (3000K) | <input type="checkbox"/> O10 | <input type="checkbox"/> 230 |
| | | | <input type="checkbox"/> RA (RAW) | <input type="checkbox"/> BR (BRASS) | <input type="checkbox"/> 35 (3500K) | <input type="checkbox"/> DAL | <input type="checkbox"/> 277 |
| | | | | <input type="checkbox"/> CP (COPPER) | | | |
| | | | <input type="checkbox"/> BR (BRASS) | | | | |
| | | | <input type="checkbox"/> CP (COPPER) | | | | |

