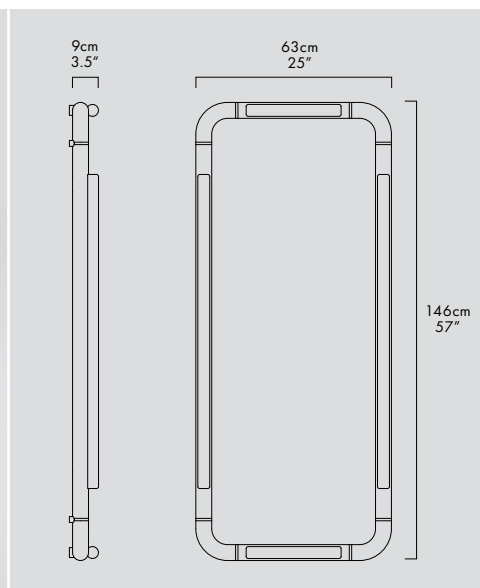


# PIPELINE CM4 - C/W

CEILING/WALL

MANUFACTURED IN CANADA

CAINE HEINTZMAN / 2021



PIP-CM4-CW-BK-27-MLV-120

## DESCRIPTION

Space efficient, the surface mounted Pipeline provides accent lighting while becoming an integral element of the environment it is set in.

## TYPE

Ceiling/Wall

## DIMENSIONS

- Luminaire: 146 x 63 x 9cm / 57" x 25" x 3.5"

## POWER TRIM OPTIONS

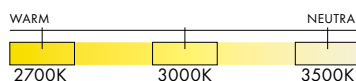
- Trimless (Mud-in or surface mount, remote power supply)

\* SEE INSTALL INSTRUCTIONS

## TECHNICAL INFORMATION

- Input Voltage: 110-120V / 220-240V / 110-277V
- Integral LED source
- 44W @ 24V DC
- 47,000 hours life
- CRI 90+
- Controls: Phase dimming / 0-10 / DALI

## COLOUR TEMPERATURE OPTIONS



## CERTIFICATIONS

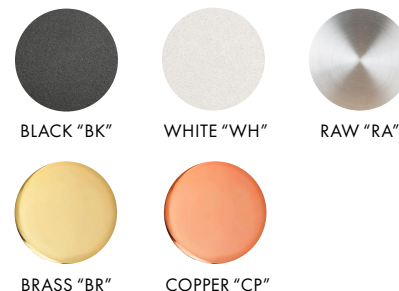


\* APPLICATION: DRY INDOOR LOCATION ONLY

## MATERIALS

- Aluminum
- Acrylic

## FINISHES



FOR CUSTOM FINISHES, PLEASE INQUIRE.

SERIES	SIZE	TYPE	BODY FINISH	END CAP/JOINER	CCT	PS	VOLTAGE IN
PIP	CM4	CW	<input type="checkbox"/> BK (BLACK)	<input type="checkbox"/> BK (BLACK)	<input type="checkbox"/> 27 (2700K)	<input type="checkbox"/> MLV	<input type="checkbox"/> 120
			<input type="checkbox"/> WH (WHITE)	<input type="checkbox"/> WH (WHITE)	<input type="checkbox"/> 30 (3000K)	<input type="checkbox"/> O10	<input type="checkbox"/> 230
			<input type="checkbox"/> RA (RAW)	<input type="checkbox"/> BR (BRASS)	<input type="checkbox"/> 35 (3500K)	<input type="checkbox"/> DAL	<input type="checkbox"/> 277
				<input type="checkbox"/> CP (COPPER)			
			<input type="checkbox"/> BR (BRASS)				
			<input type="checkbox"/> CP (COPPER)				

