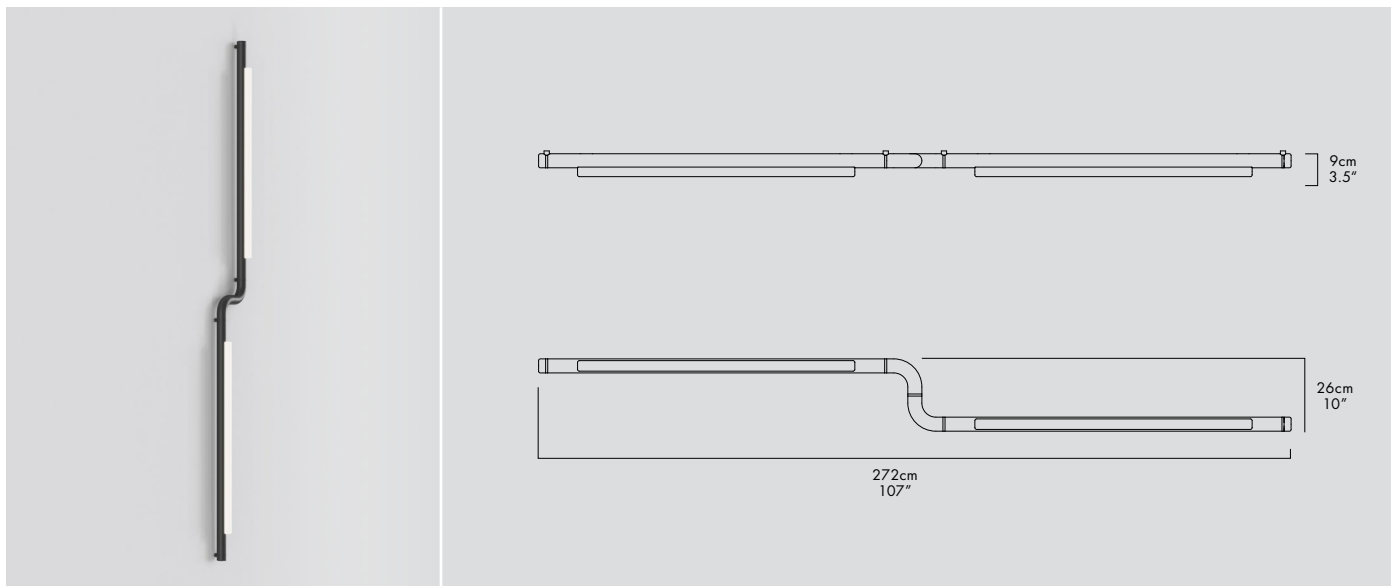


# PIPELINE CM3 – C/W

MANUFACTURED IN CANADA

CEILING/WALL

CAINE HEINTZMAN / 2021



PIP-CM3-CW-BK-27-MLV-120

## DESCRIPTION

Space efficient, the surface mounted Pipeline provides accent lighting while becoming an integral element of the environment it is set in.

## TYPE

Ceiling/Wall

## DIMENSIONS

– Luminaire: 272 x 26 x 9cm /  
107" x 10" x 3.5"

## POWER TRIM OPTIONS

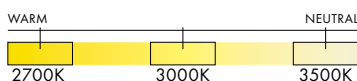
– Trimless (Mud-in or surface mount, remote power supply)

\* SEE INSTALL INSTRUCTIONS

## TECHNICAL INFORMATION

- Input Voltage:  
110–120V / 220–240V / 110–277V
- Integral LED source
- 34W @ 24V DC
- 47,000 hours life
- CRI 90+
- Controls:  
Phase dimming / 0–10 / DALI

## COLOUR TEMPERATURE OPTIONS



## CERTIFICATIONS



\* APPLICATION: DRY INDOOR LOCATION ONLY

## MATERIALS

- Aluminum
- Acrylic

## FINISHES



BLACK "BK"

WHITE "WH"

RAW "RA"



BRASS "BR"



COPPER "CP"



FOR CUSTOM FINISHES,  
PLEASE INQUIRE.

SERIES	SIZE	TYPE	BODY FINISH	END CAP/JOINER	CCT	PS	VOLTAGE IN
PIP	CM3	CW	<input type="checkbox"/> BK (BLACK)	<input type="checkbox"/> BK (BLACK)	<input type="checkbox"/> 27 (2700K)	<input type="checkbox"/> MLV	<input type="checkbox"/> 120
			<input type="checkbox"/> WH (WHITE)	<input type="checkbox"/> WH (WHITE)	<input type="checkbox"/> 30 (3000K)	<input type="checkbox"/> O10	<input type="checkbox"/> 230
			<input type="checkbox"/> RA (RAW)	<input type="checkbox"/> BR (BRASS)	<input type="checkbox"/> 35 (3500K)	<input type="checkbox"/> DAL	<input type="checkbox"/> 277
				<input type="checkbox"/> CP (COPPER)			
			<input type="checkbox"/> BR (BRASS)				
			<input type="checkbox"/> CP (COPPER)				

